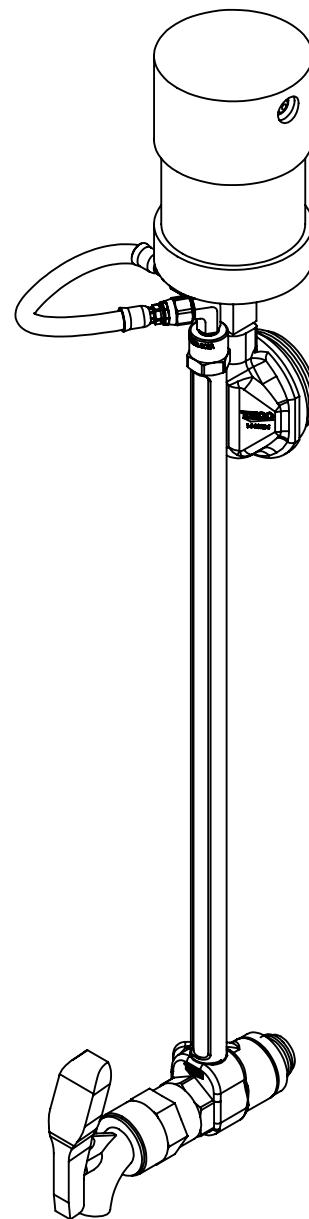
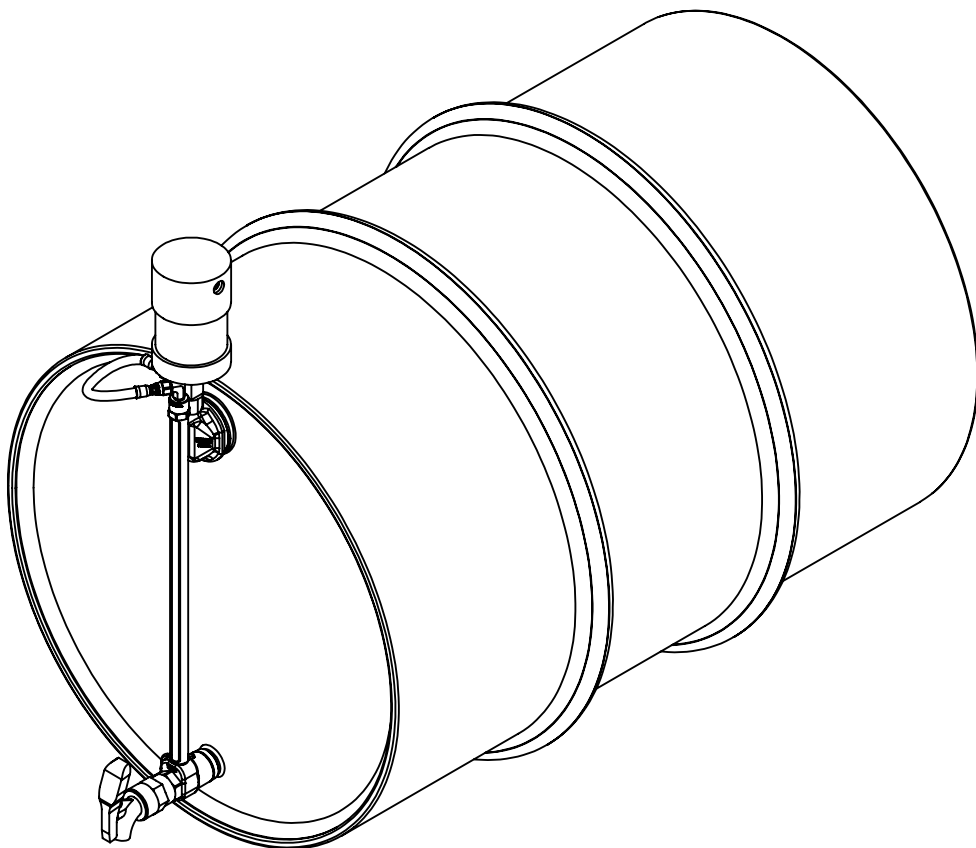


# DRUM LIQUID LEVEL GAUGE WITH BREATHER INSTRUCTIONS

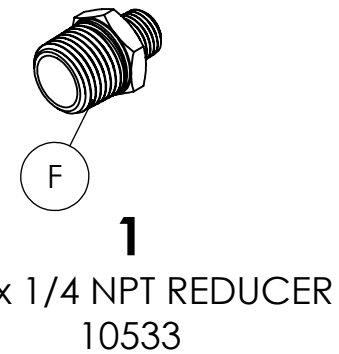
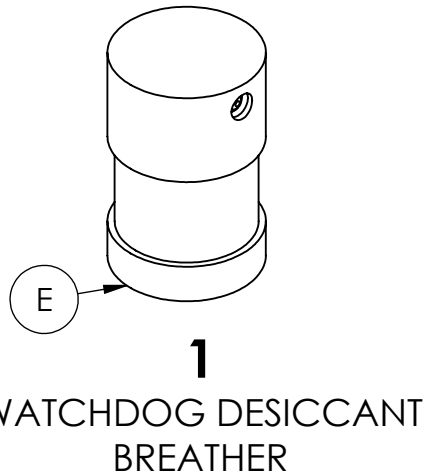
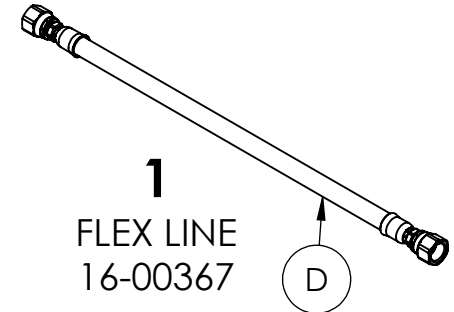
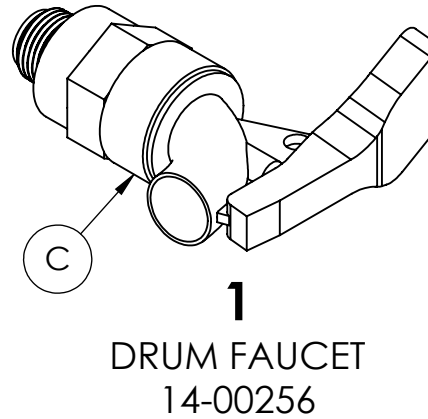
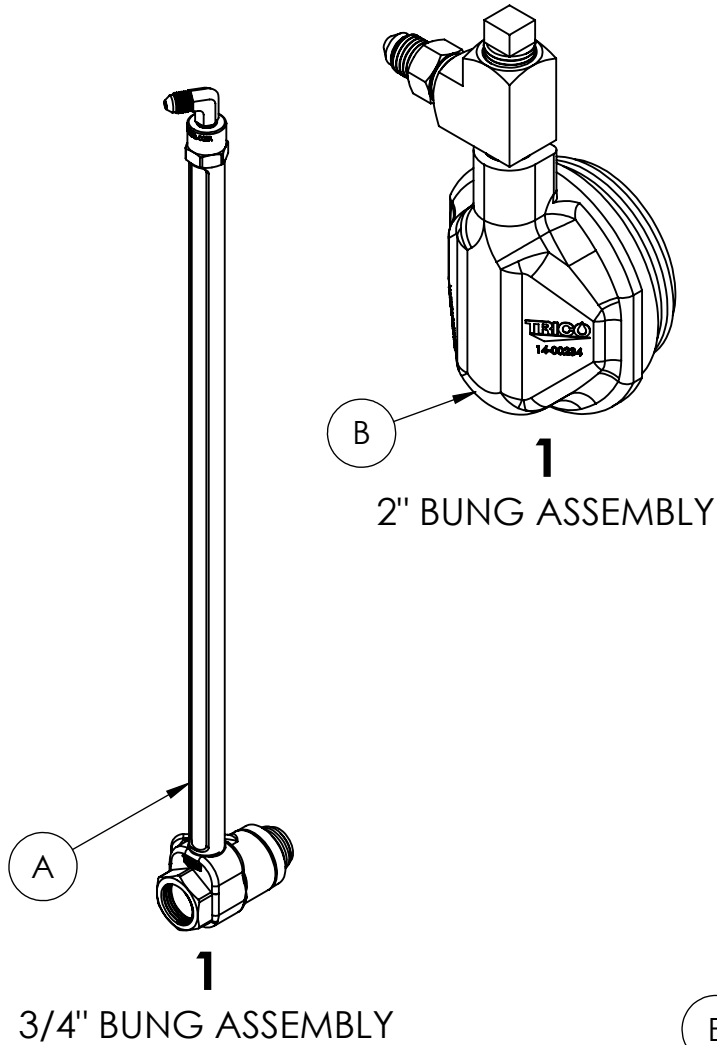


61261  
Rev 1 10/21/2019

COVER  
SHEET

1 OF 5

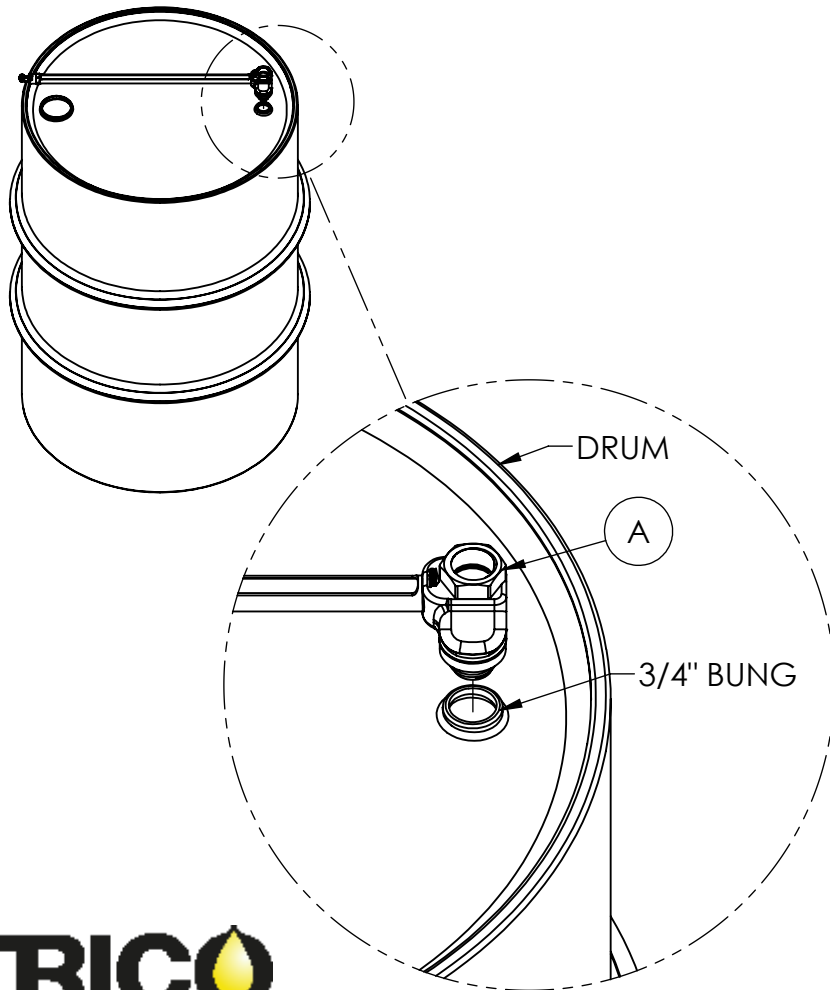
# DRUM LIQUID LEVEL GAUGE WITH BREATHER INSTRUCTIONS



# DRUM LIQUID LEVEL GAUGE WITH BREATHER INSTRUCTIONS

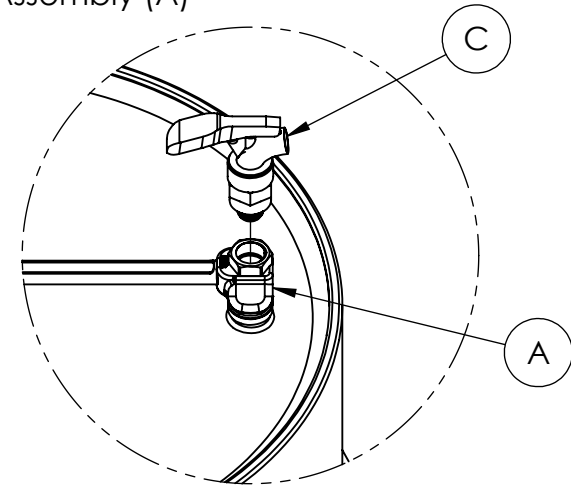
## STEP 1

1. Remove both 2" and 3/4" Bungs from Drum
2. Screw 3/4" Bung Assembly (A) into the 3/4" Bung hole on Drum making sure the assembly is tight onto the drum compressing the gasket and lining up with the 2" Bung



## STEP 2

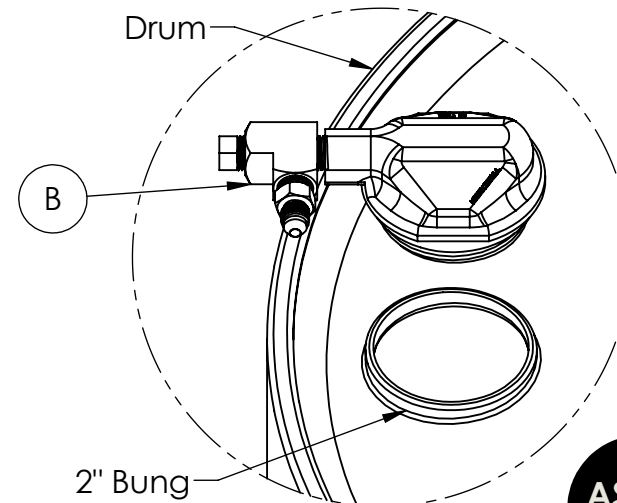
1. Using thread sealant, attach Drum Faucet (C) to 3/4" Bung Assembly (A)



## STEP 3

1. Screw 2" Bung Assembly (B) into the 2" Bung hole on Drum making sure the assembly is tight onto the drum compressing the gasket and lining up with the liquid level gauge (A)

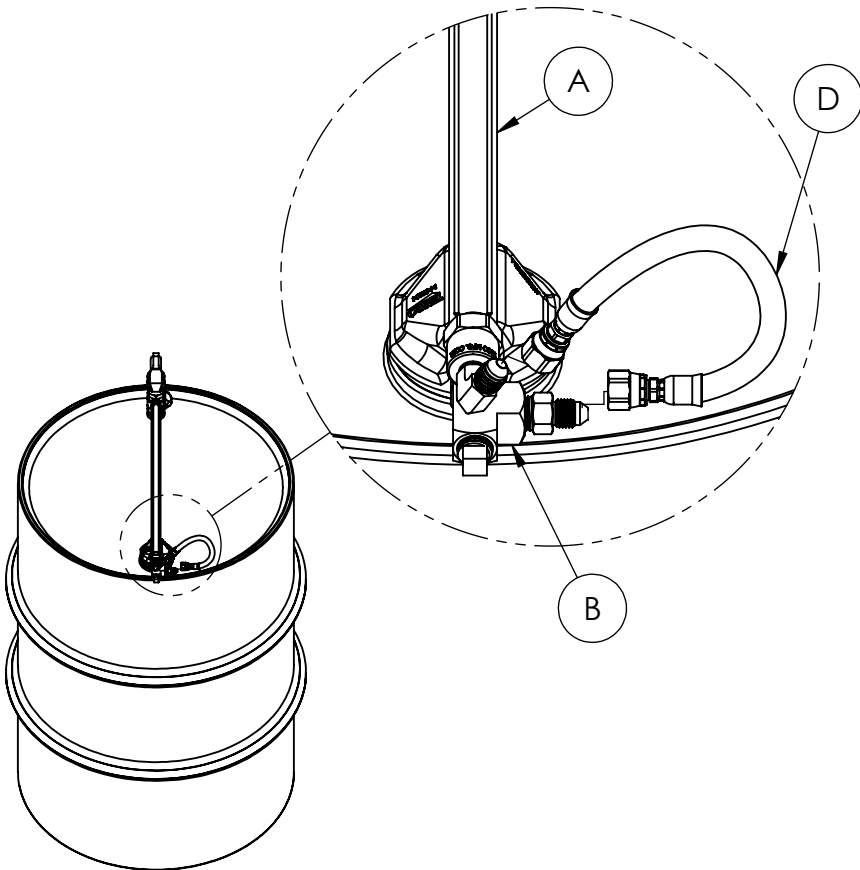
*Note:* You may need to turn the Liquid Level Gauge (A) away from the 2" Bung Hole for easier assembly (Part A not shown below)



## DRUM LIQUID LEVEL GAUGE WITH BREATHER INSTRUCTIONS

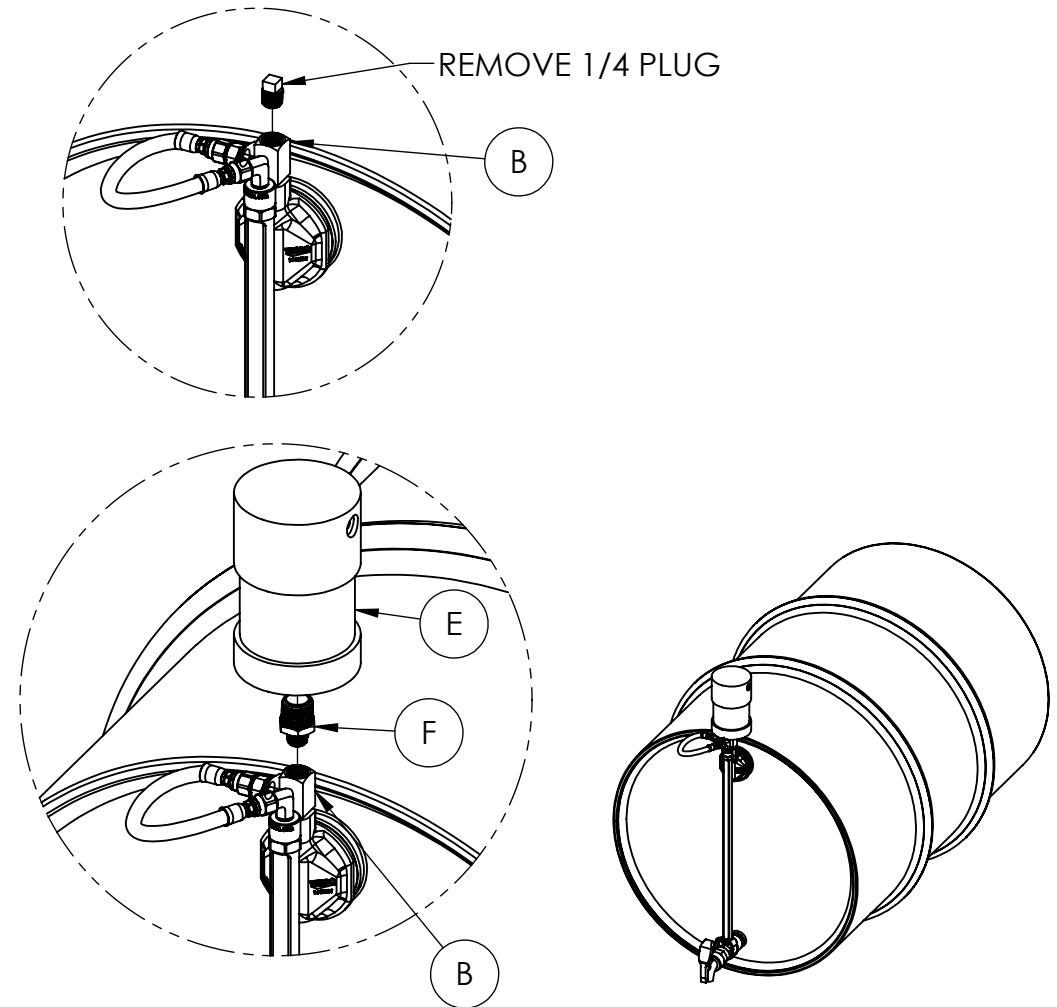
### STEP 4

1. Connect Flex Line (D) to both JIC fittings on the 3/4" Bung Assembly (A) and 2" Bung Assembly (B)
2. Make sure 1/4" Plug is tight on top of the 2" Bung Assembly (B) and then flip the drum horizontally into storage location with the 3/4" Bung Assembly (A) facing towards the spill containment area



### STEP 5

1. Remove 1/4" Plug on top of the 2" Bung Assembly (B)
2. Using thread sealant, connect Reducer (F) to 2" Bung Assembly (B)
3. Screw Watchdog Breather (E) onto Reducer (F)  
DO NOT USE SEALANT



# DRUM LIQUID LEVEL GAUGE WITH BREATHER SPECIFICATIONS

ALL DIMENSIONS SHOWN IN INCHES

