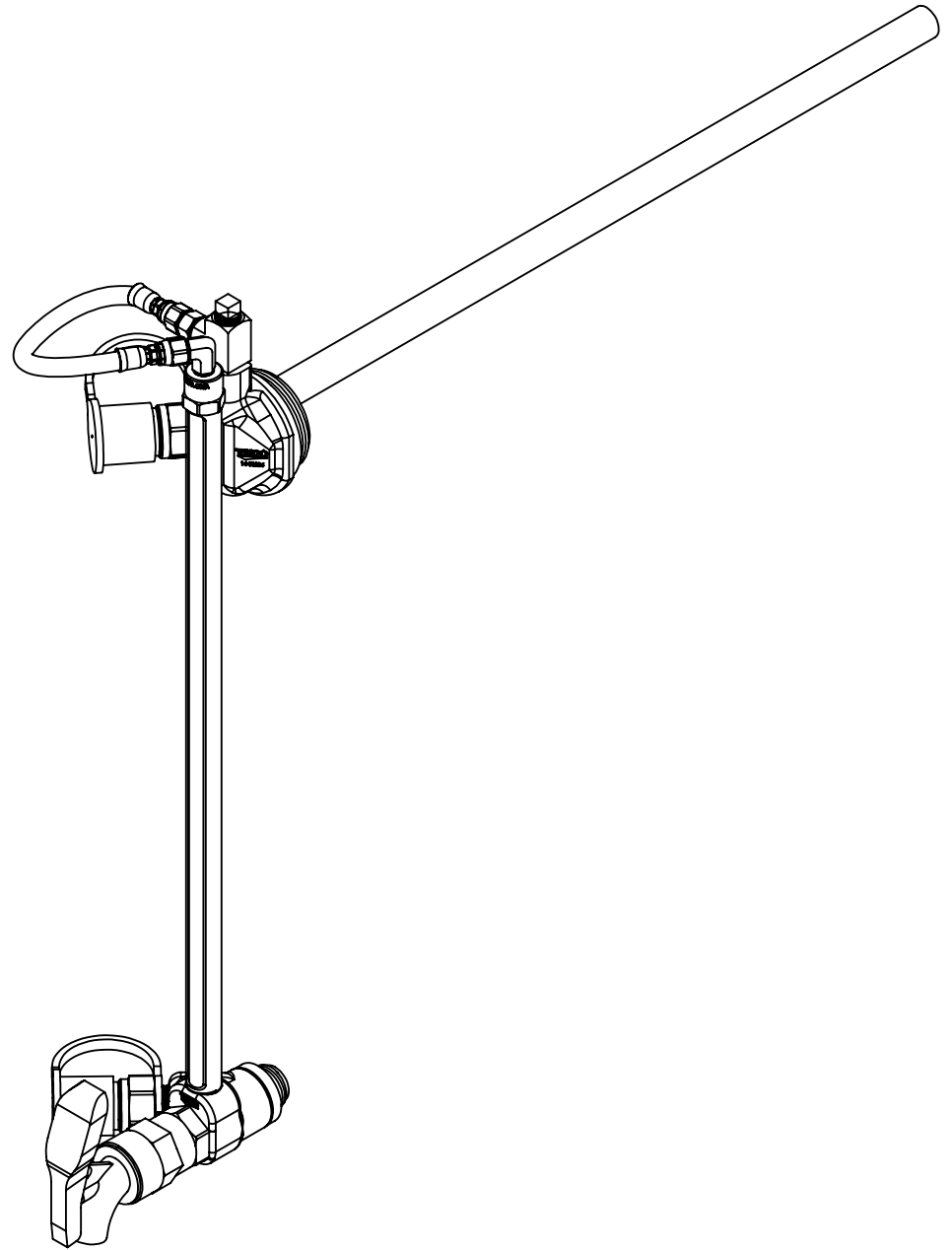
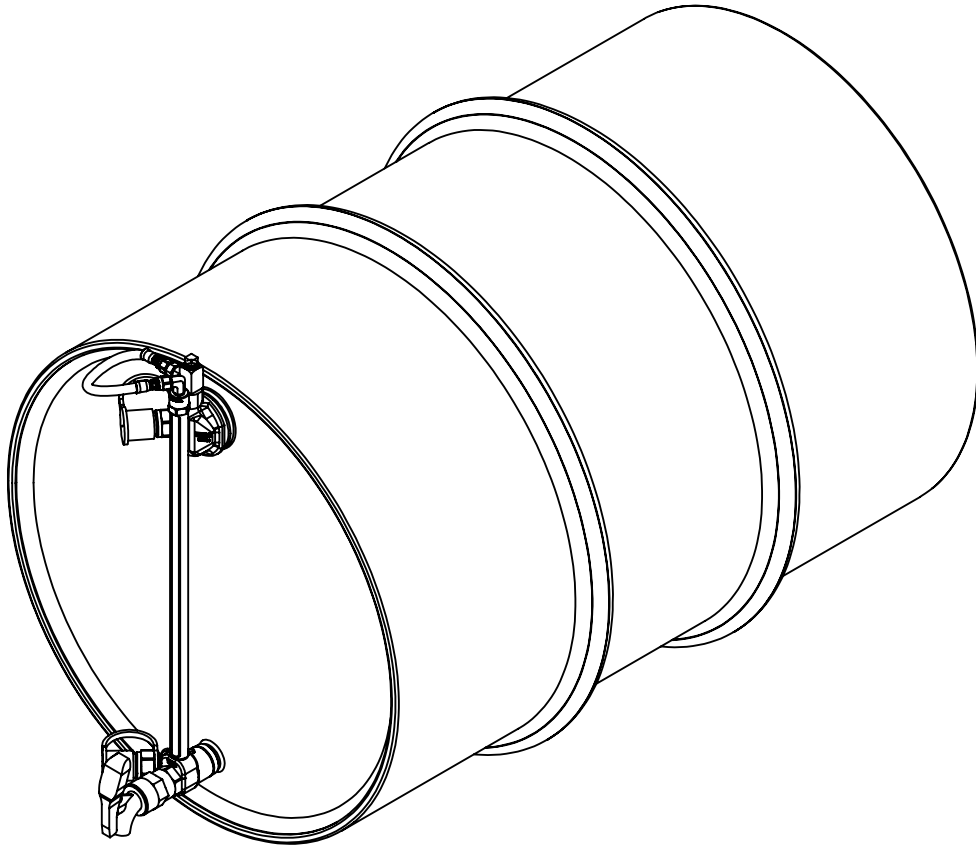


# DRUM LIQUID LEVEL GAUGE KIDNEY LOOP INSTRUCTIONS

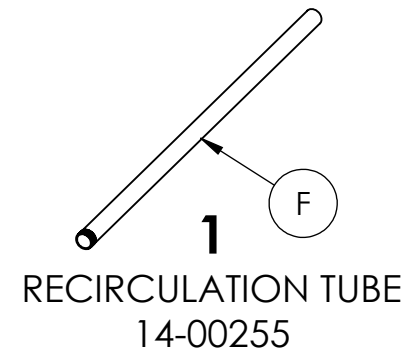
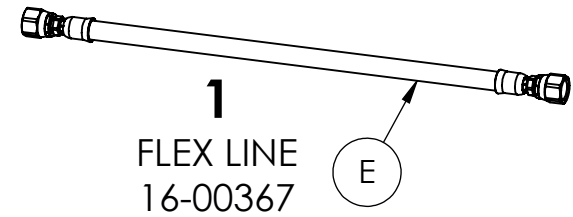
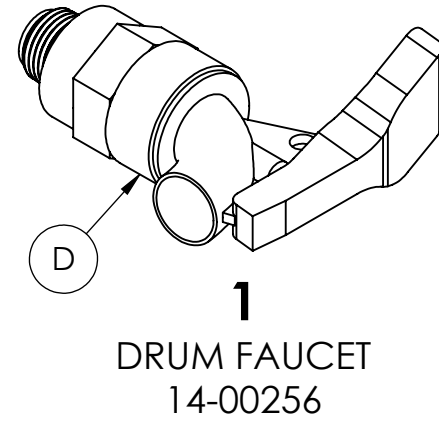
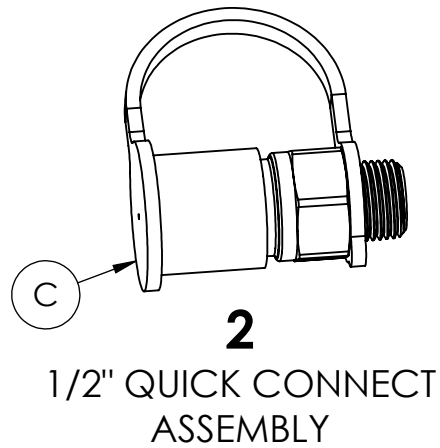
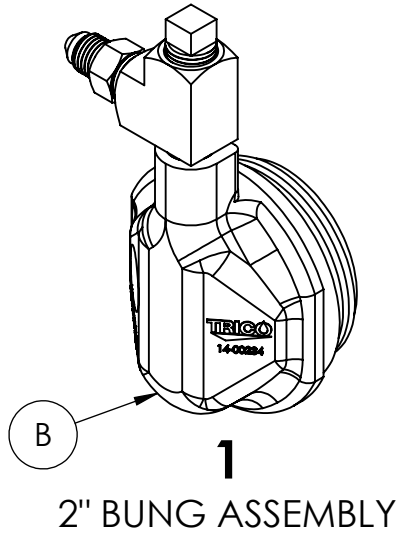
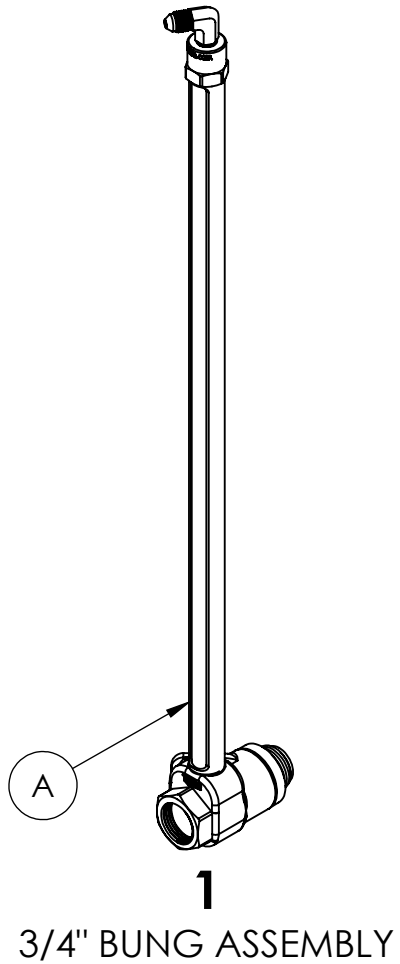


61258  
Rev 1 10/21/2019

**COVER  
SHEET**

**1 OF 6**

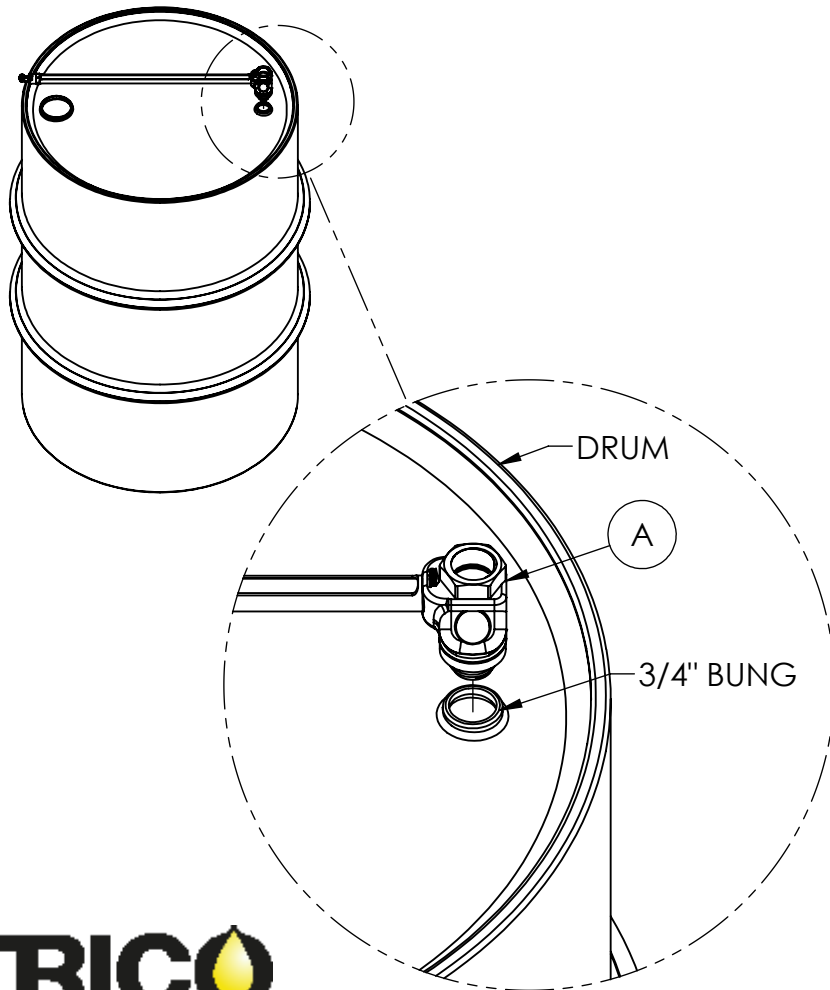
# DRUM LIQUID LEVEL GAUGE KIDNEY LOOP INSTRUCTIONS



# DRUM LIQUID LEVEL GAUGE KIDNEY LOOP INSTRUCTIONS

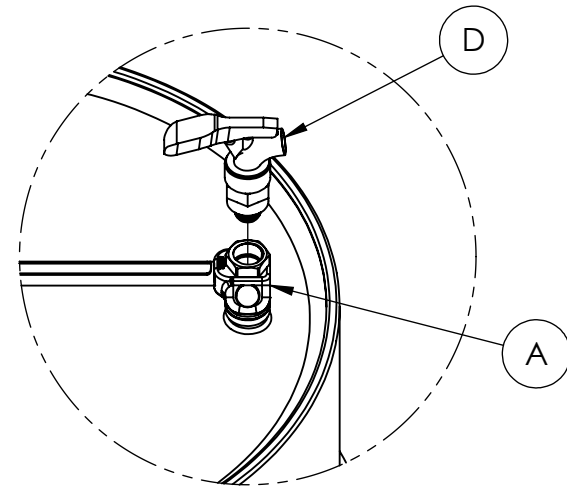
## STEP 1

1. Remove both 2" and 3/4" Bungs from Drum
2. Screw 3/4" Bung Assembly (A) into the 3/4" Bung hole on Drum making sure the assembly is tight onto the drum compressing the gasket and lining up with the 2" Bung



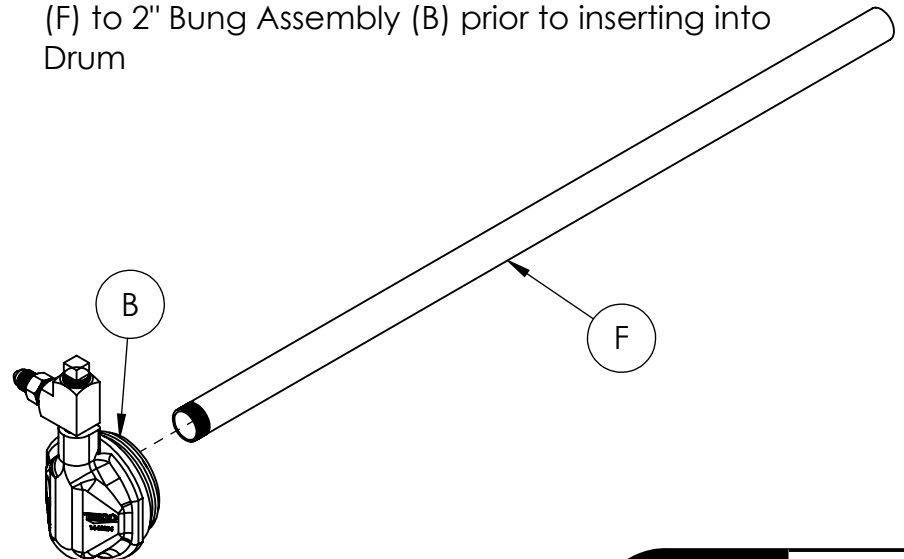
## STEP 2

1. Using thread sealant, attach Drum Faucet (D) to 3/4" Bung Assembly (A)



## STEP 3

1. Using thread sealant, attach Recirculation Tube (F) to 2" Bung Assembly (B) prior to inserting into Drum

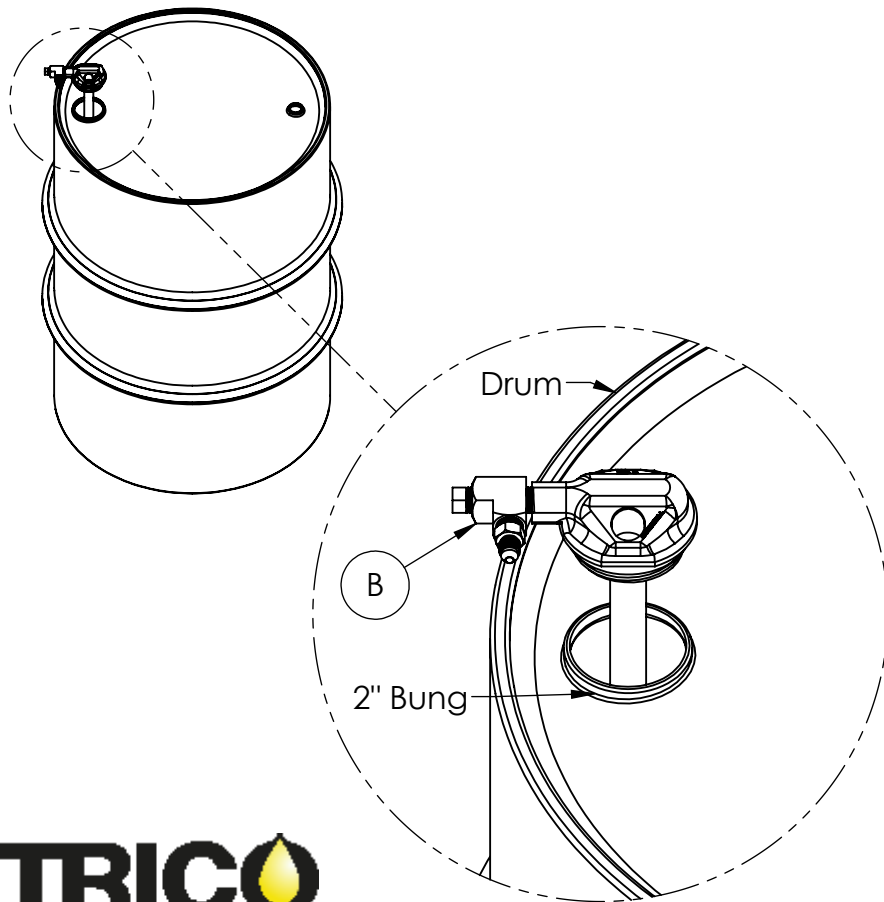


## DRUM LIQUID LEVEL GAUGE KIDNEY LOOP INSTRUCTIONS

### STEP 4

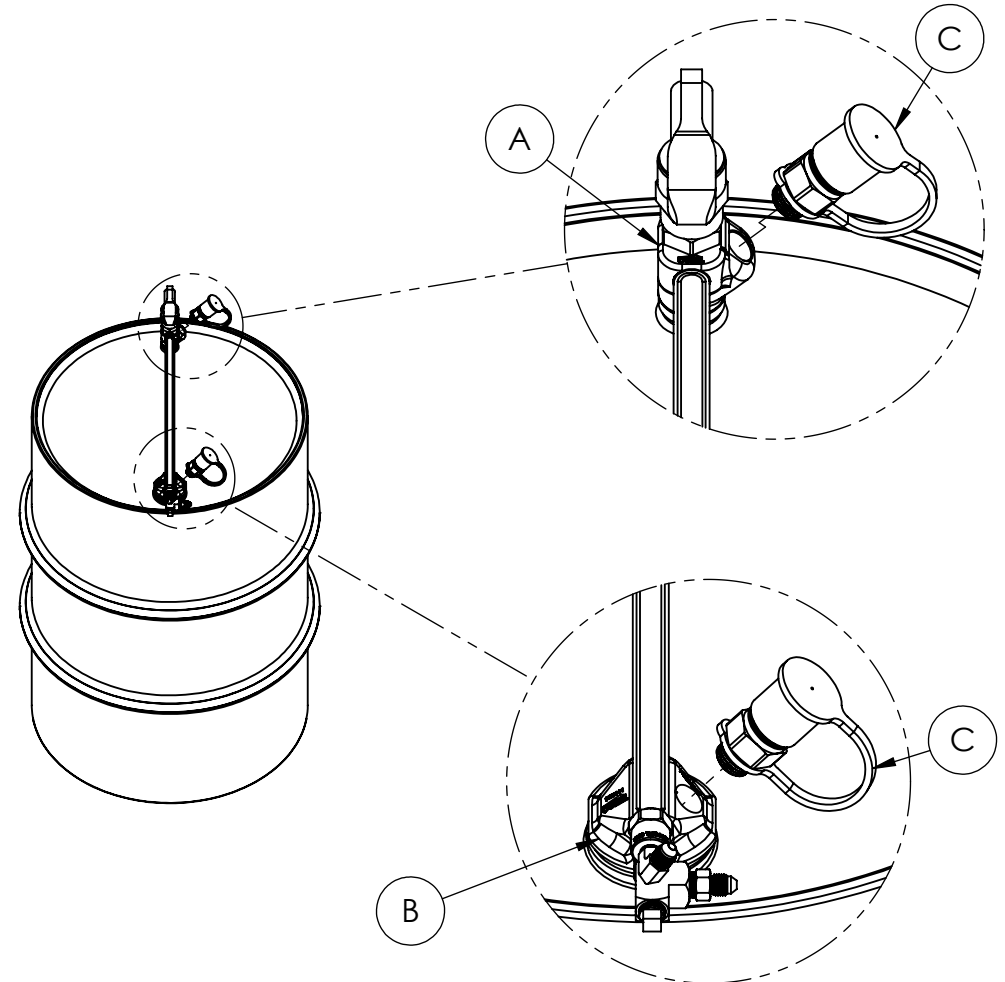
1. Screw 2" Bung Assembly (B) into the 2" Bung hole on Drum making sure the assembly is tight onto the drum compressing the gasket and lining up with the liquid level gauge (A)

*Note:* You may need to turn the Liquid Level Gauge (A) away from the 2" Bung Hole for easier assembly (Part A not shown below)



### STEP 5

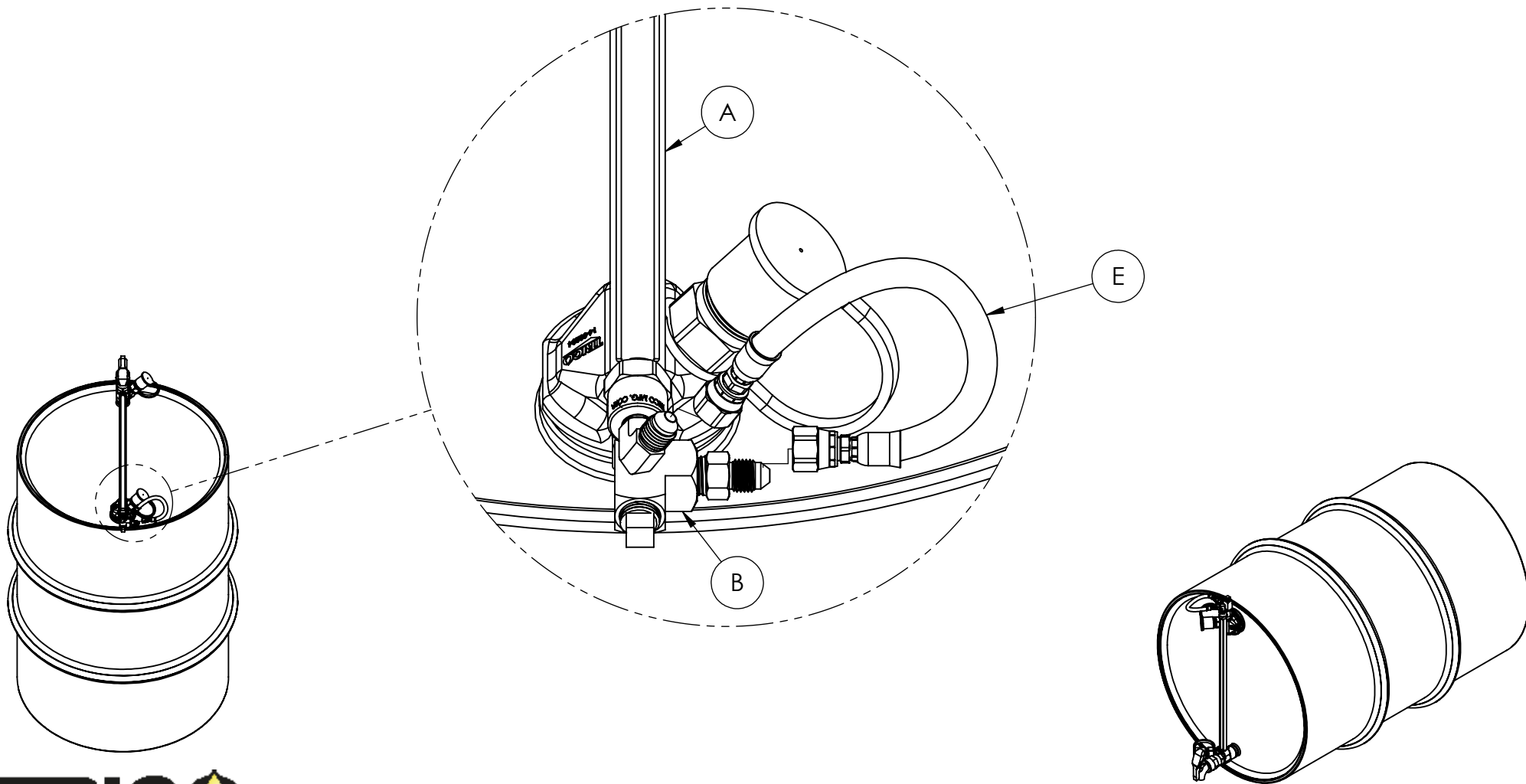
1. Using thread sealant, connect 1/2" Quick Connect Assemblies (C) to both 3/4" Bung Assembly (A) and 2" Bung Assembly (B)



## DRUM LIQUID LEVEL GAUGE KIDNEY LOOP INSTRUCTIONS

### STEP 6

1. Connect Flex Line (E) to both JIC fittings on the 3/4" Bung Assembly (A) and 2" Bung Assembly (B)
2. Make sure 1/4" Plug is tight on top of the 2" Bung Assembly (B) and then flip the drum horizontally into storage location with the 3/4" Bung Assembly (A) facing towards the spill containment area



# DRUM LIQUID LEVEL GAUGE KIDNEY LOOP SPECIFICATIONS

