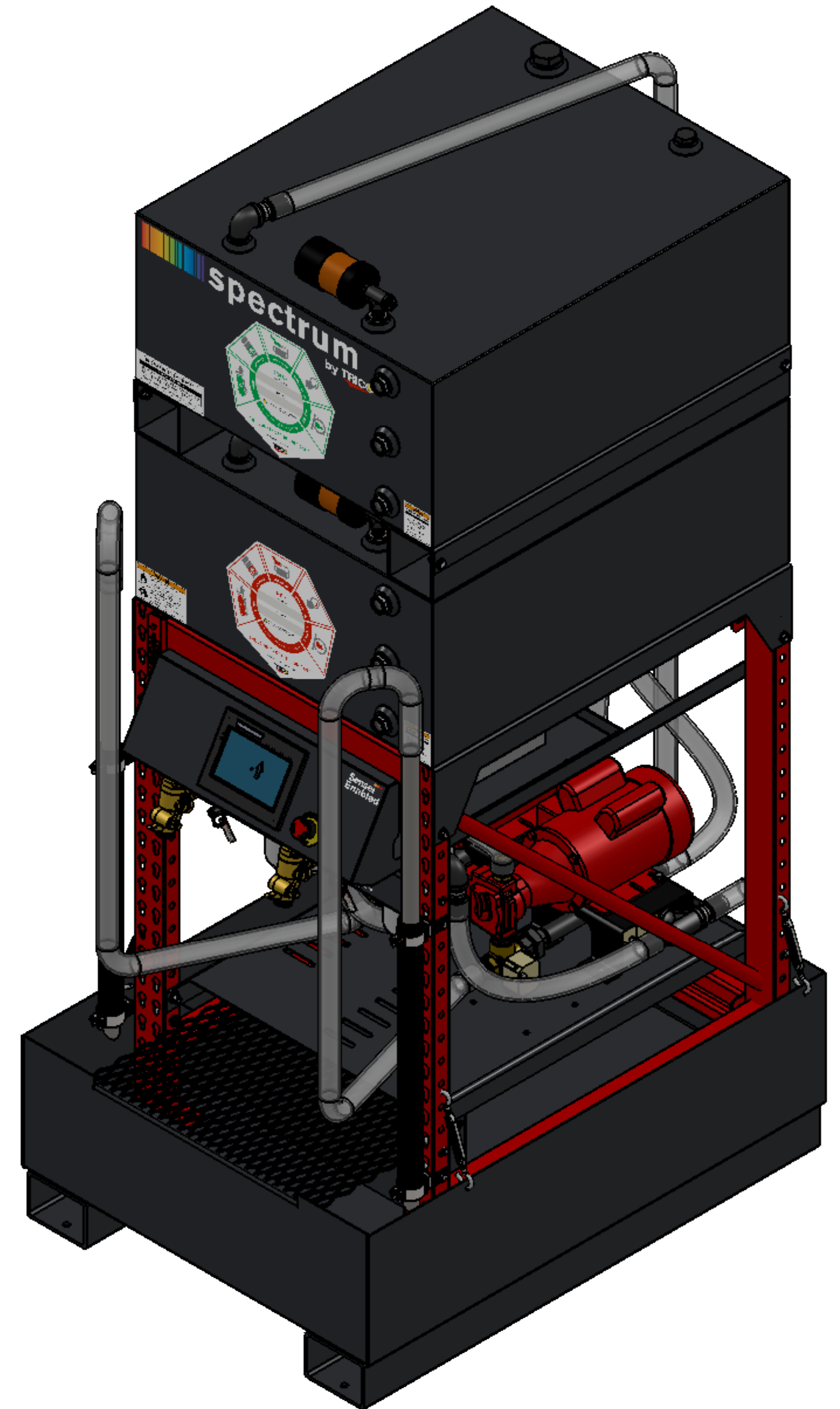
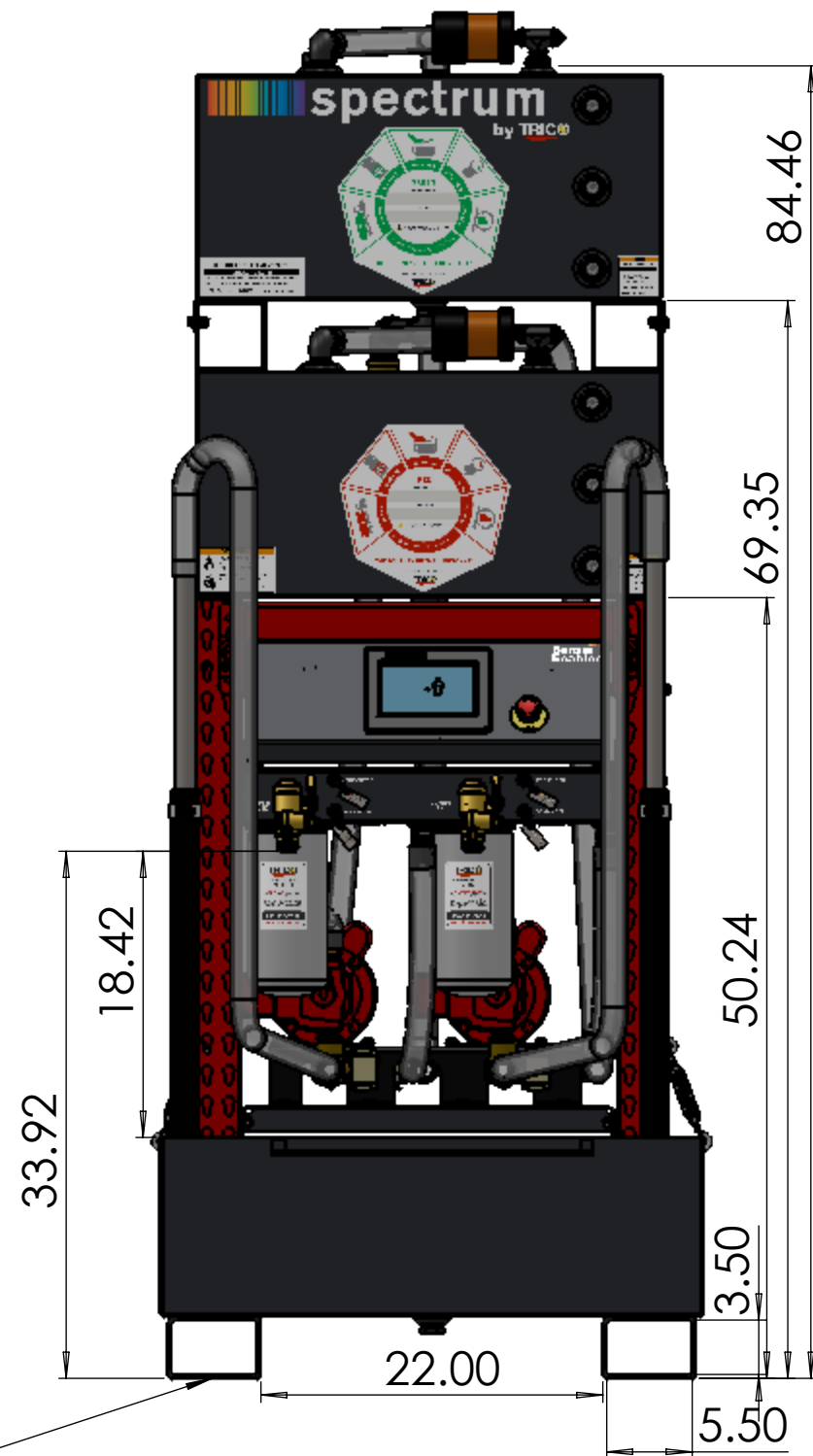
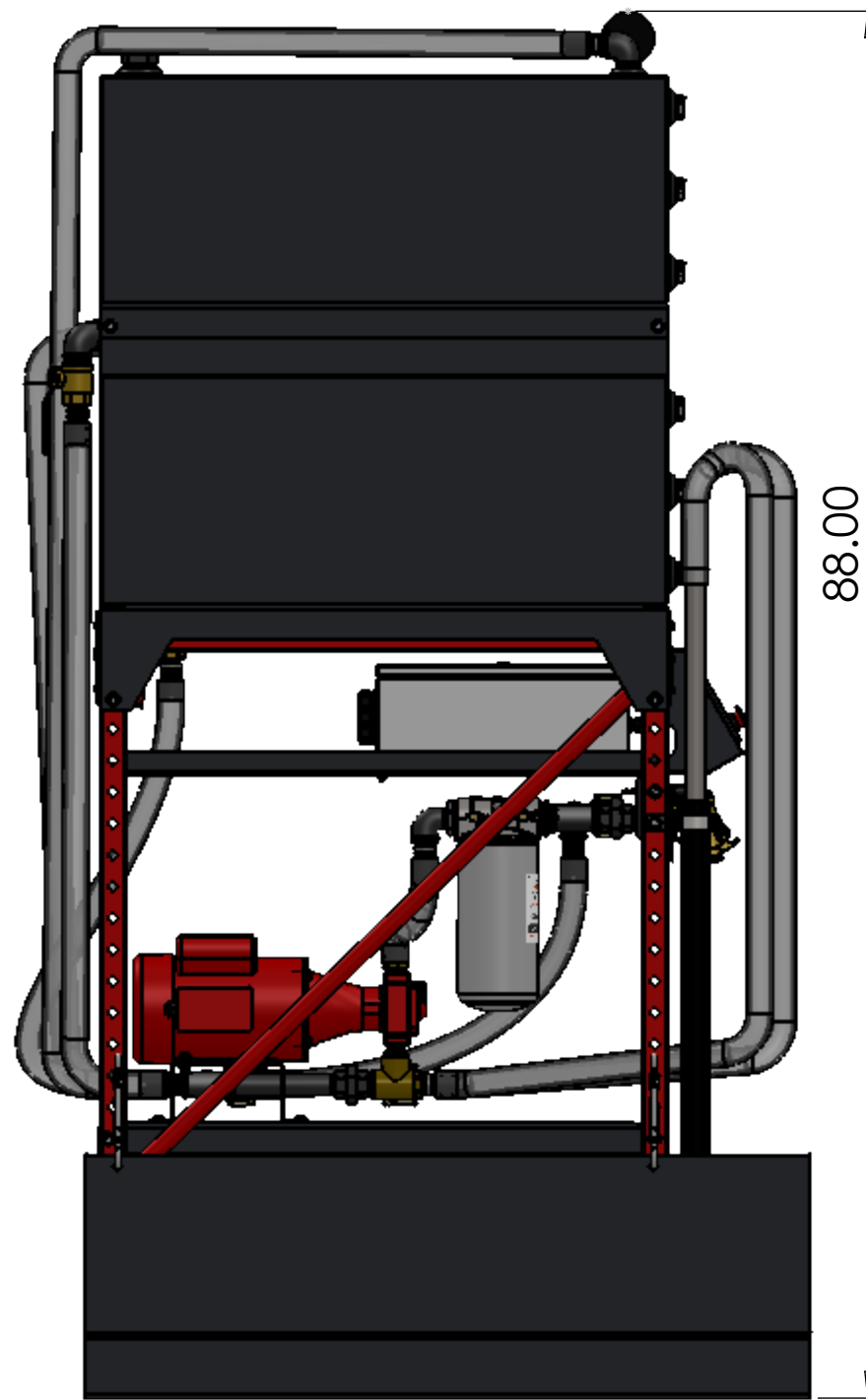
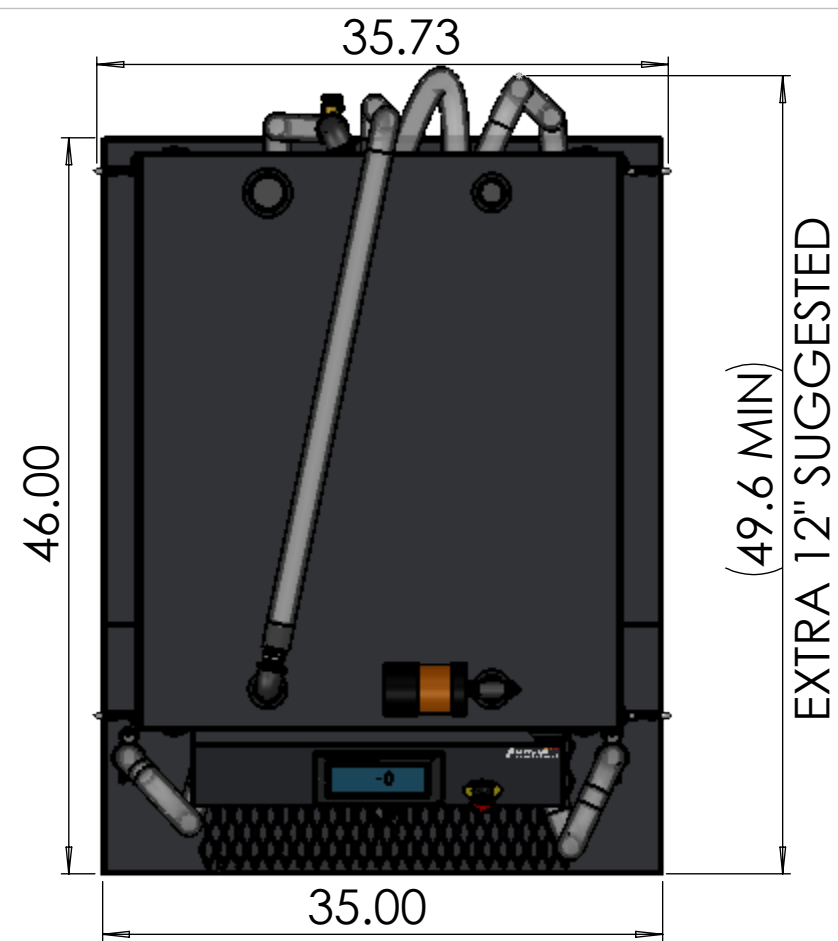


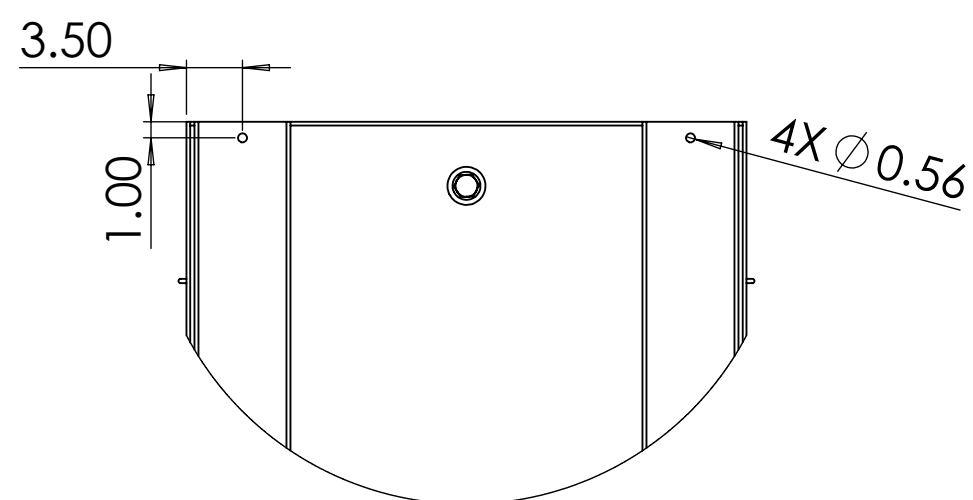
DRY WEIGHT: 950 LBS
 SHIPPING SKID SIZE: 41X58
 RACKING CAPACITY: 2500LBS
 POWER REQUIREMENTS:

240V SINGLE PHASE 30A
 TWIST-LOCK NEMA L14-30 PLUG

WETTED PARTS MATERIALS LIST:
 STAINLESS STEEL, GALVANIZED
 STEEL, ZINC PLATED STEEL, PVC,
 VITON, BUNA, BRASS, BRONZE,
 ALUMINUM, GALVANIZED IRON,
 BLACK COATED IRON

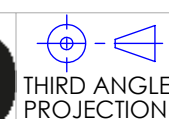


MOUNTING DETAILS



PROPRIETARY AND CONFIDENTIAL

This drawing and any information or descriptive matter set out hereon are the confidential and copyright property of TRICO and must not be disclosed, loaned, copied or used for manufacturing, tendering or any other purpose without their written permission.



TOLERANCES:
 X.XX ±.015
 X.XXX ±.005
 FRACTIONS ±1/16

ALL DRAWINGS MUST BE CONSIDERED UNCONTROLLED UNLESS OTHERWISE STAMPED
 ALL DIMENSIONS IN INCHES UNLESS OTHERWISE STATED

GEOMETRICALLY TOLERANCED TO ANSI Y14.5 (BS ISO 1101)

DESCRIPTION / TITLE:
INTELLIGENT 2 TANK SPECIFICATIONS

SIZE: C	PART NUMBER: 37220	REV.
------------	------------------------------	------

DRAWN:	NAME: AFB	DATE: 10/1/2021
CHECKED:		
APPRVD:		

MATERIAL:	SHEET: 1 OF 1
STOCK SIZE:	
FINISH:	
SCALE: 1:10	
DO NOT SCALE DRAWING	