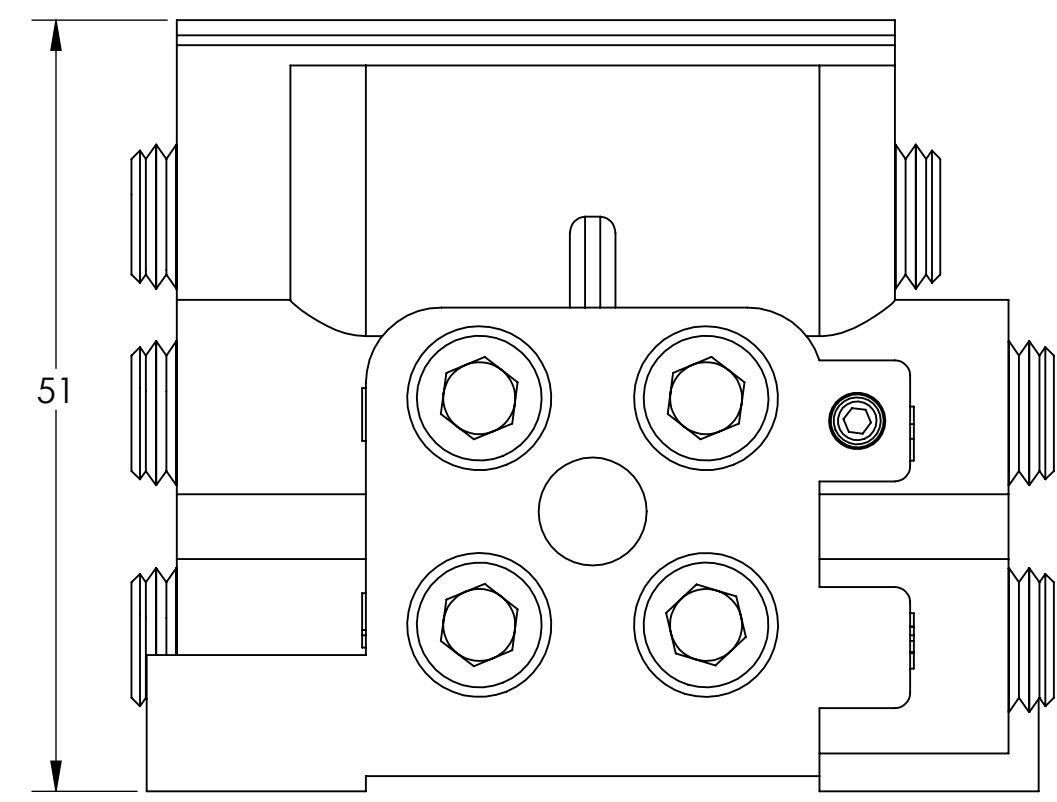
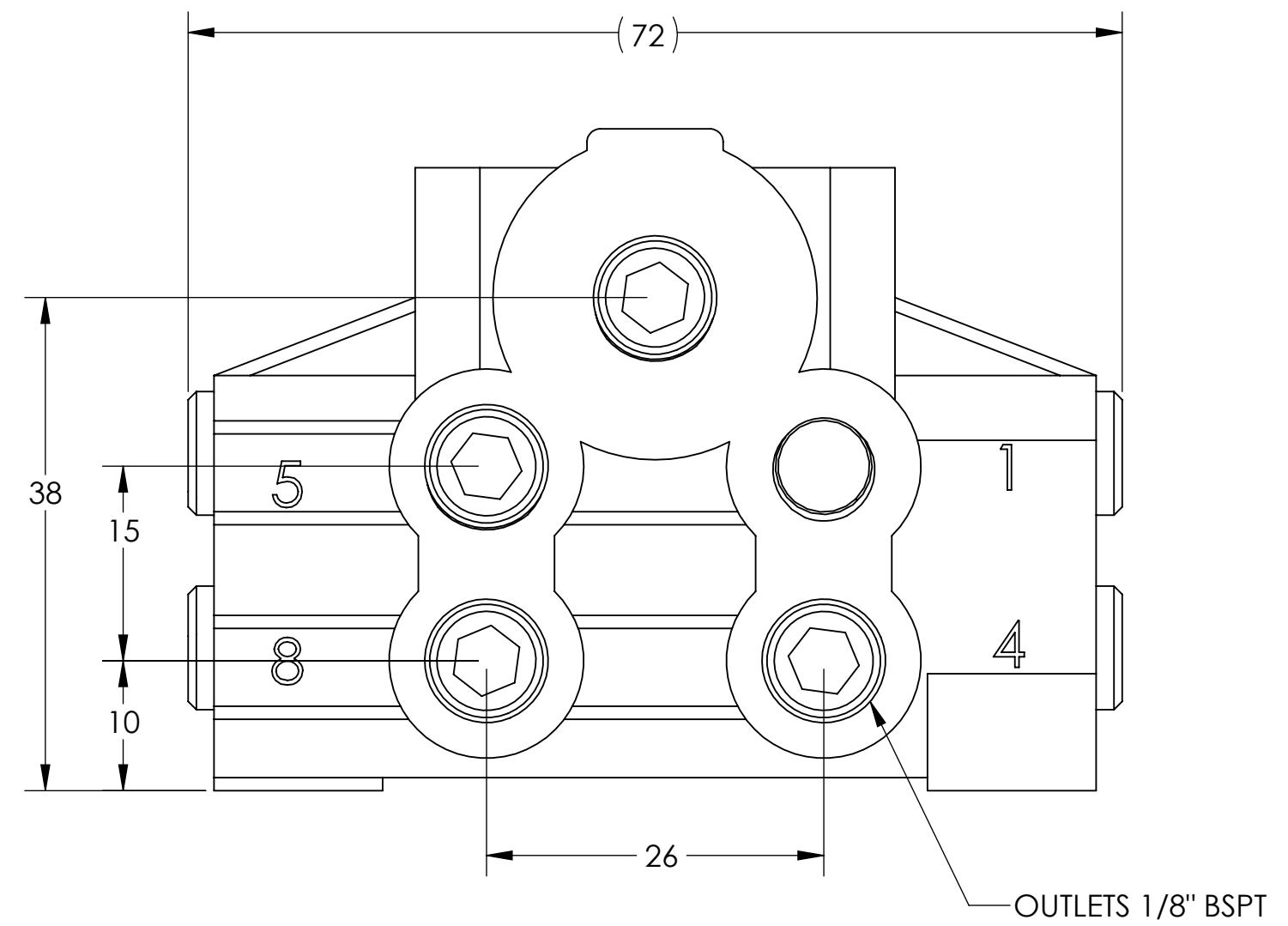
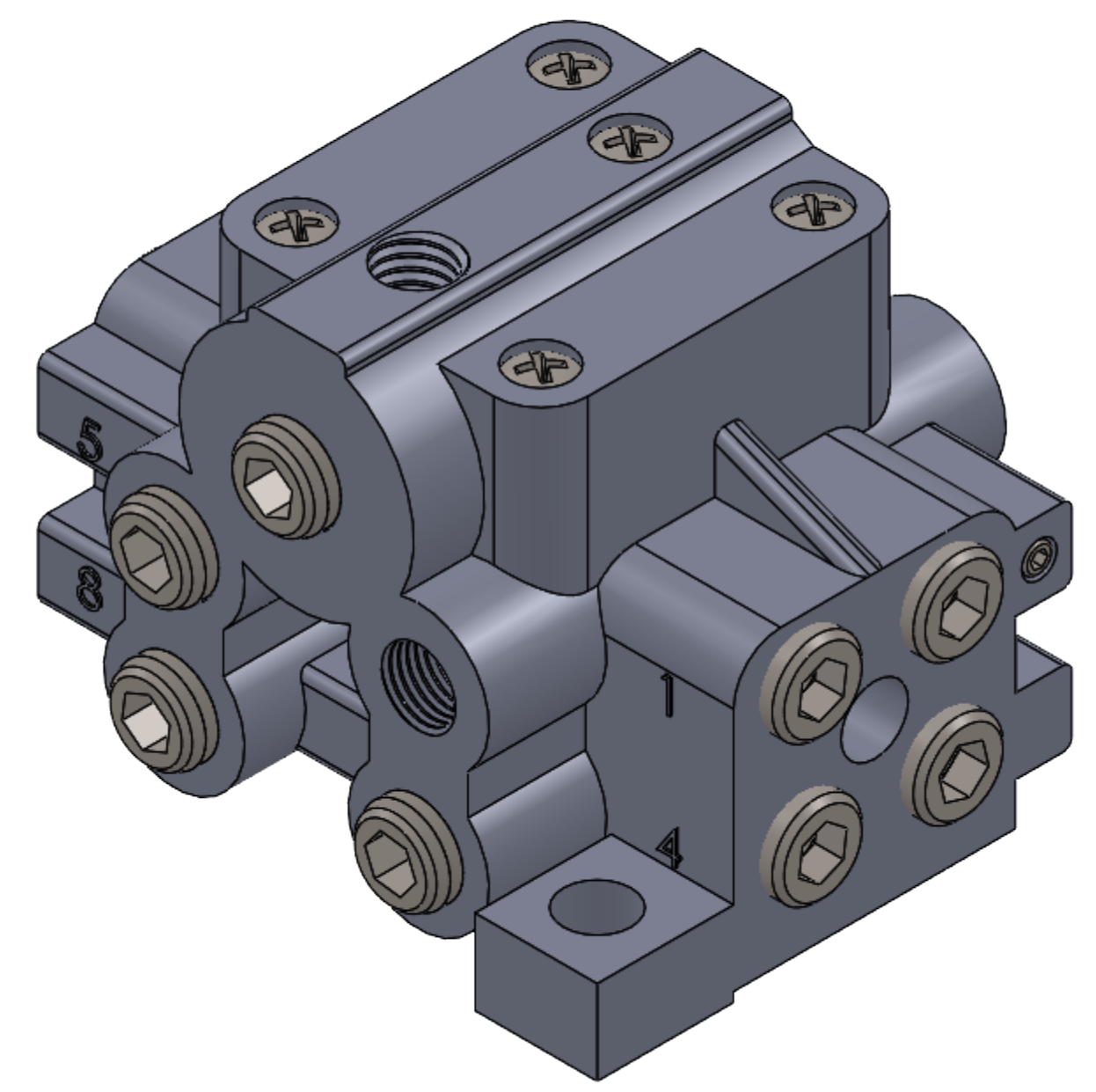
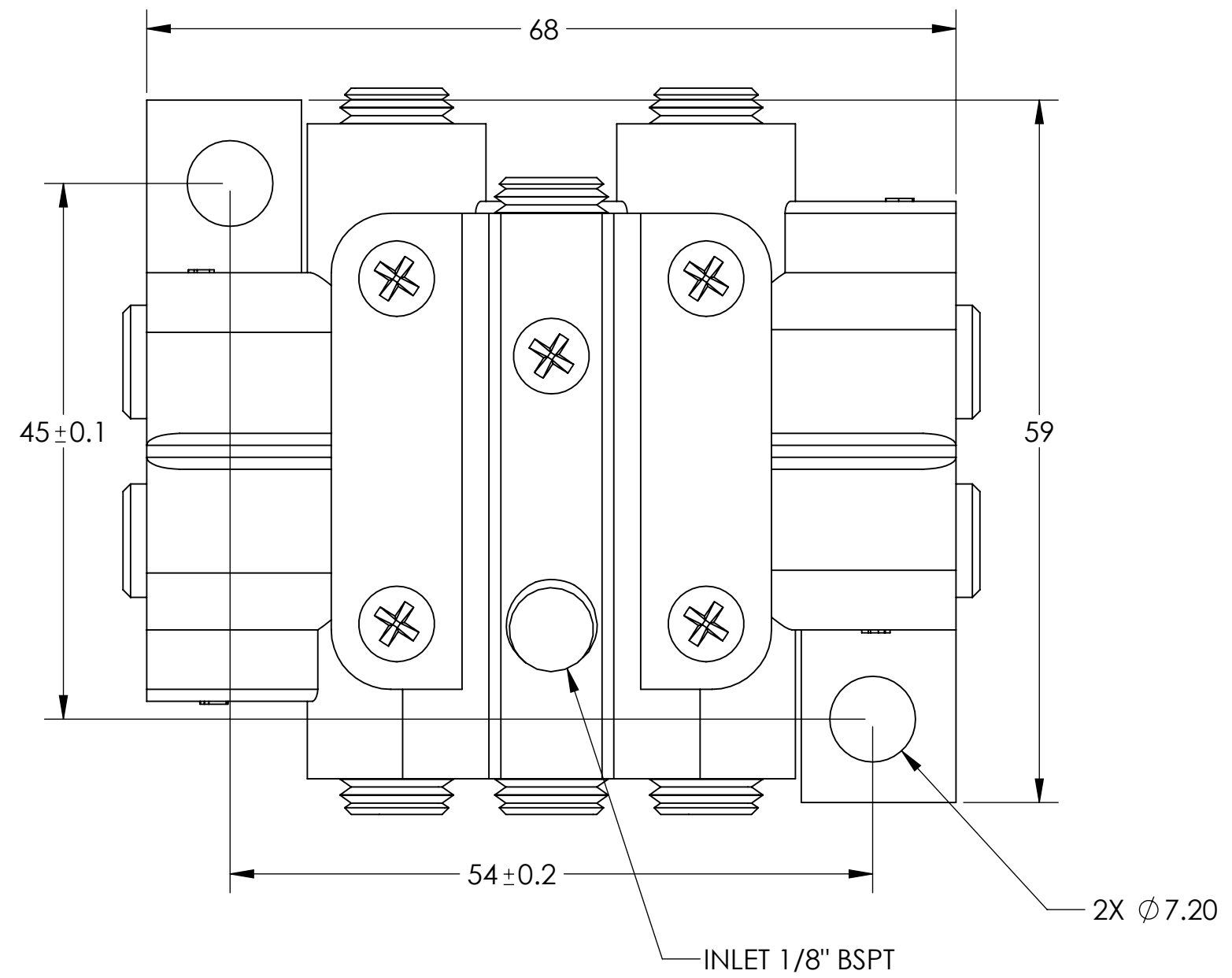


REV.	DATE	ECO/DCO	DESCRIPTION	INIT.
A	1/4/2019		INITIAL RELEASE	JJW



PN	PORT NUMBER								SEQUENCE (CYCLE)								DISCHARGE RATE								OUTLET
	1	2	3	4	5	6	7	8	1	2	3	4	5	6	7	8	1	2	3	4	5	6	7	8	
33512			X	X	X	X	X	X	1	1	2	2	1	1	2	2	1	1	X	X	X	X	X	X	2
33513			X	X		X	X	X	1	1	2	2	5	5	2	2	1	2	X	X	1	X	X	X	3
33514			X	X			X	X	1	1	6	2	5	5	2	6	1	1	X	X	1	1	X	X	4
33515				X			X	X	1	3	6	5	3	2	X	X	1	1	2	X	1	1	X	X	5
33516				X			X		1	3	6	5	7	2	X	X	1	1	1	X	1	1	1	X	6
33517				X					1	8	7	2	5	8	3	6	1	1	1	X	1	1	1	2	7
33518									1	4	7	2	5	8	3	6	1	1	1	1	1	1	1	1	8

NOTES:  
 1. ALL DIMS METRIC, HU-XRS DIVIDER BLOCK  
 2. PORT FUCTION AND PART NUMBER PER CHART

**TRICO**

THIRD ANGLE PROJECTION

**PROPRIETARY AND CONFIDENTIAL**

This drawing and any information or descriptive matter set out hereon are the confidential and copyright property of TRICO and must not be disclosed, loaned, copied or used for manufacturing, tendering or any other purpose without their written permission.

ALL DRAWINGS MUST BE CONSIDERED UNCONTROLLED UNLESS OTHERWISE STAMPED

ALL DIMENSIONS IN INCHES UNLESS OTHERWISE STATED

**TOLERANCES:**  
 X.XX ±.015 ANGLES X±1°  
 X.XXX ±.005  
 FRACTIONS ±1/16

GEOMETRICALLY TOLERANCED TO ANSI Y14.5 (BS ISO 1101)

DESCRIPTION / TITLE: <b>Streamliner Distribution Block, X Points</b>		
SIZE: <b>C</b>	PART NUMBER: <b>3351X</b>	REV. <b>A</b>
MATERIAL:	DATE:	SHEET:
STOCK SIZE:	1/4/2019	1 OF 1
FINISH:	7/31/2020	
SCALE: 2:1		
<b>DO NOT SCALE DRAWING</b>		