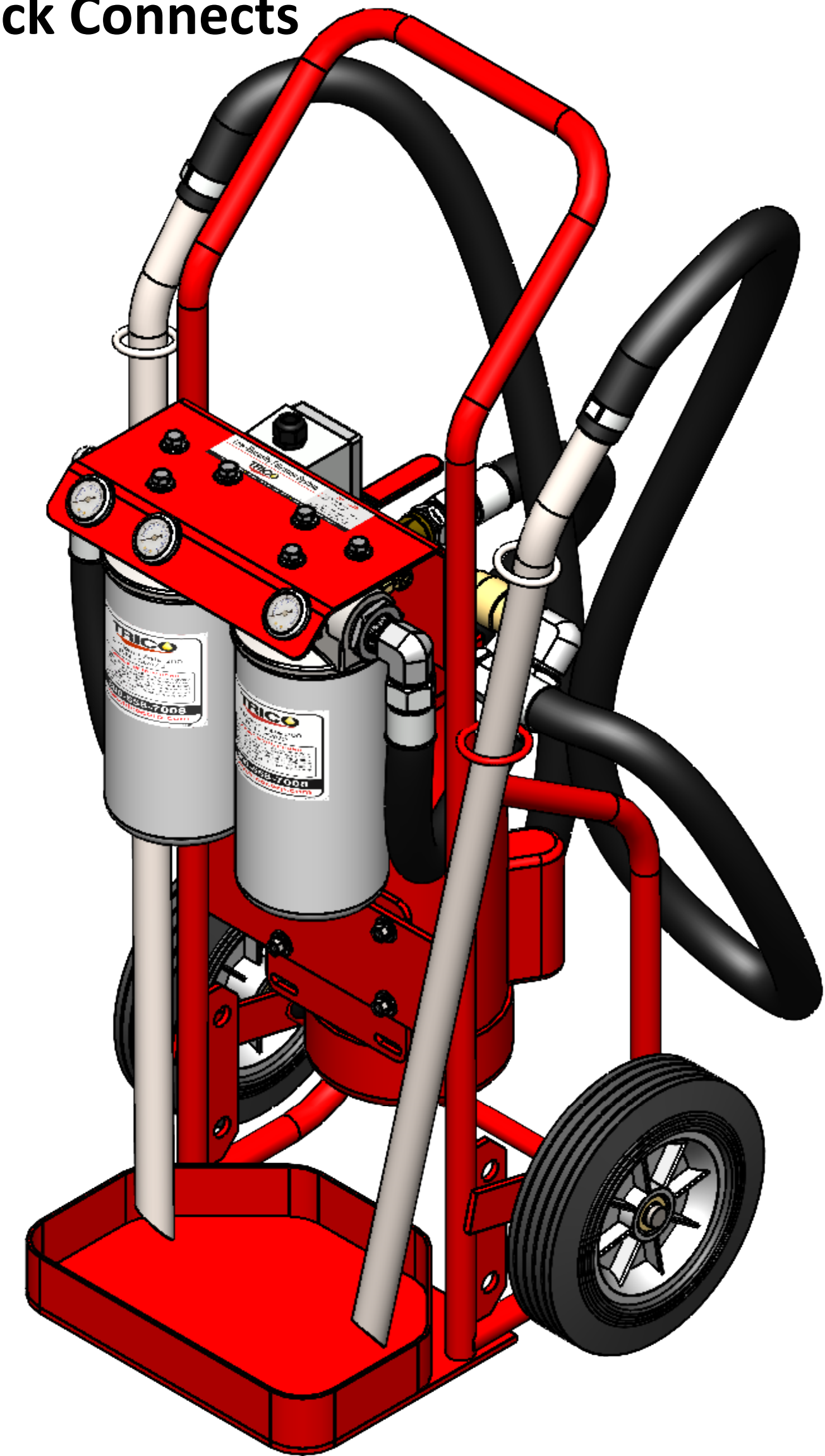
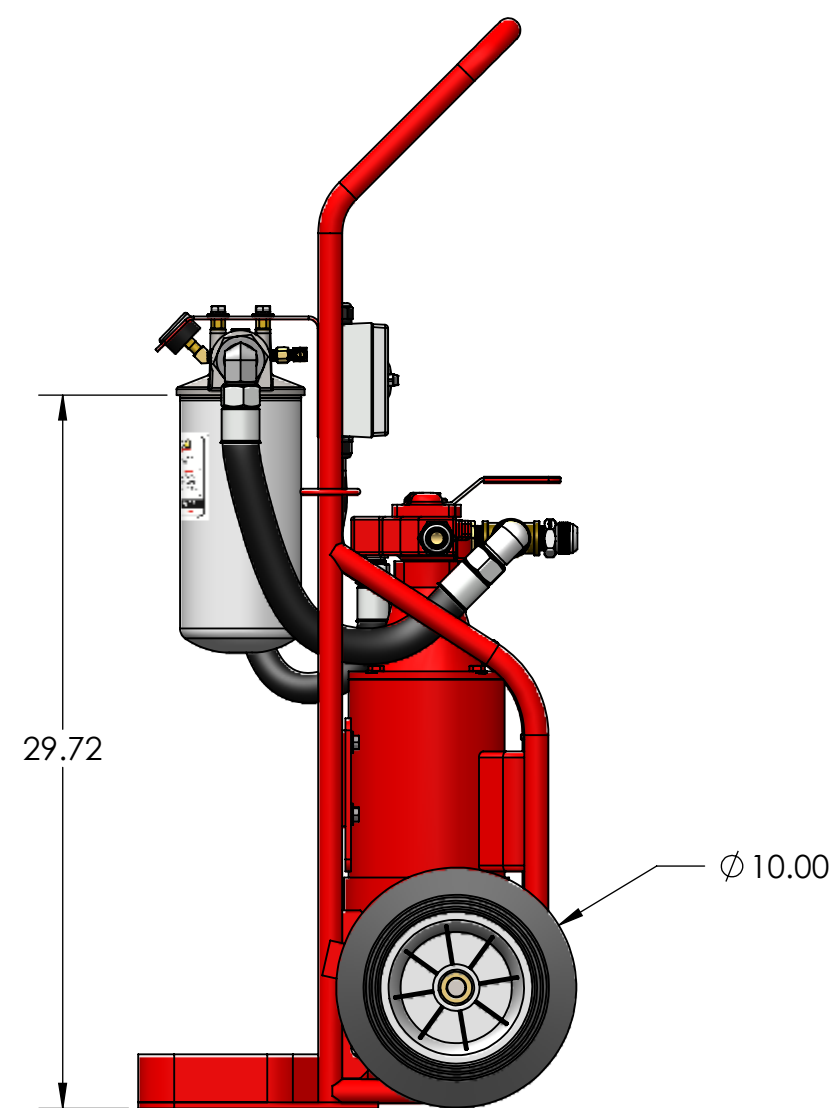
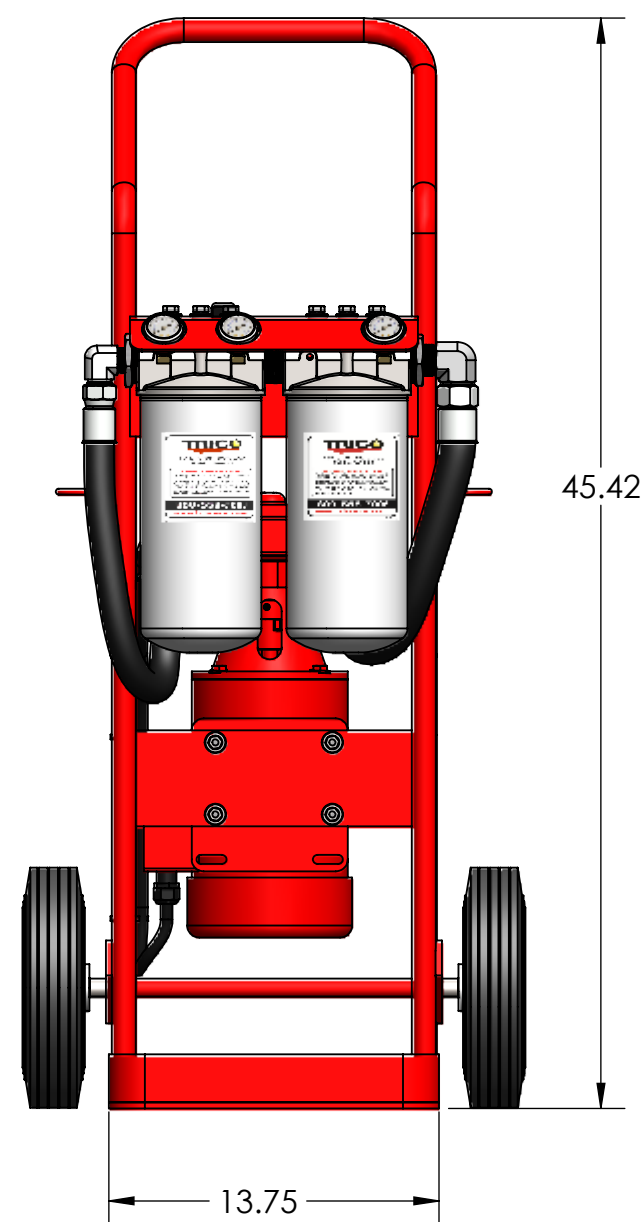
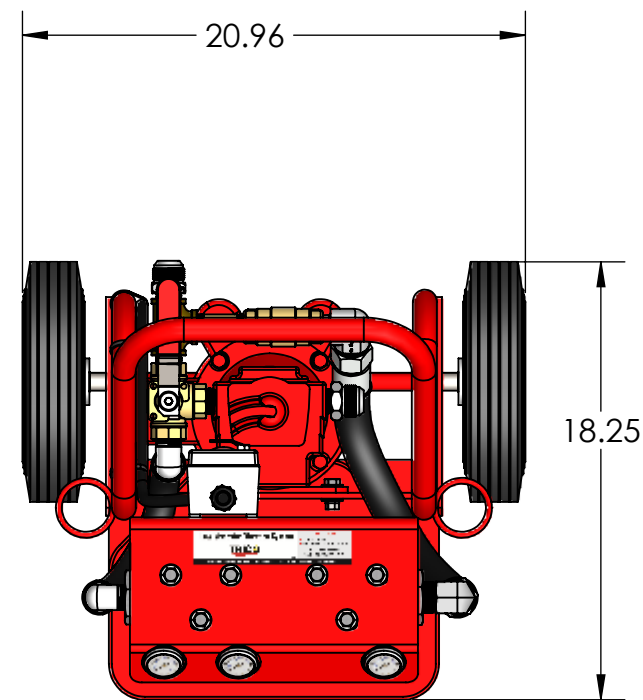


- 36900 - 60Hz 120V Low-Viscosity Filtration Cart with 10ft Hose & Quick Connects
- 36901 - 50Hz 220V Low-Viscosity Filtration Cart with 10ft Hose & Quick Connects
- 36946 - 60Hz 120V Low-Viscosity Filtration Cart with Wands
- 36947 - 50Hz 220V Low-Viscosity Filtration Cart with Wands

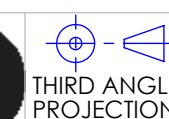


NOTES:
1.



PROPRIETARY AND CONFIDENTIAL

This drawing and any information or descriptive matter set out hereon are the confidential and copyright property of TRICO and must not be disclosed, loaned, copied or used for manufacturing, tendering or any other purpose without their written permission.



TOLERANCES:
X.XX ±.015
X.XXX ±.005
FRACTIONS ±1/16

ANGLES X ±1°
GEOMETRICALLY TOLERANCED TO ANSI Y14.5 (BS ISO 1101)

ALL DRAWINGS MUST BE CONSIDERED UNCONTROLLED UNLESS OTHERWISE STAMPED
ALL DIMENSIONS IN INCHES UNLESS OTHERWISE STATED

DESCRIPTION / TITLE:
Low-Viscosity Filtration Cart

SIZE: C	PART NUMBER: 36946	REV.
-------------------	------------------------------	------

DRAWN:	NAME: AFB	DATE: 9/24/2020
CHECKED:		
APPRVD:		

MATERIAL:	
STOCK SIZE:	
FINISH:	
SCALE: 1:8	SHEET: 1 OF 9
DO NOT SCALE DRAWING	