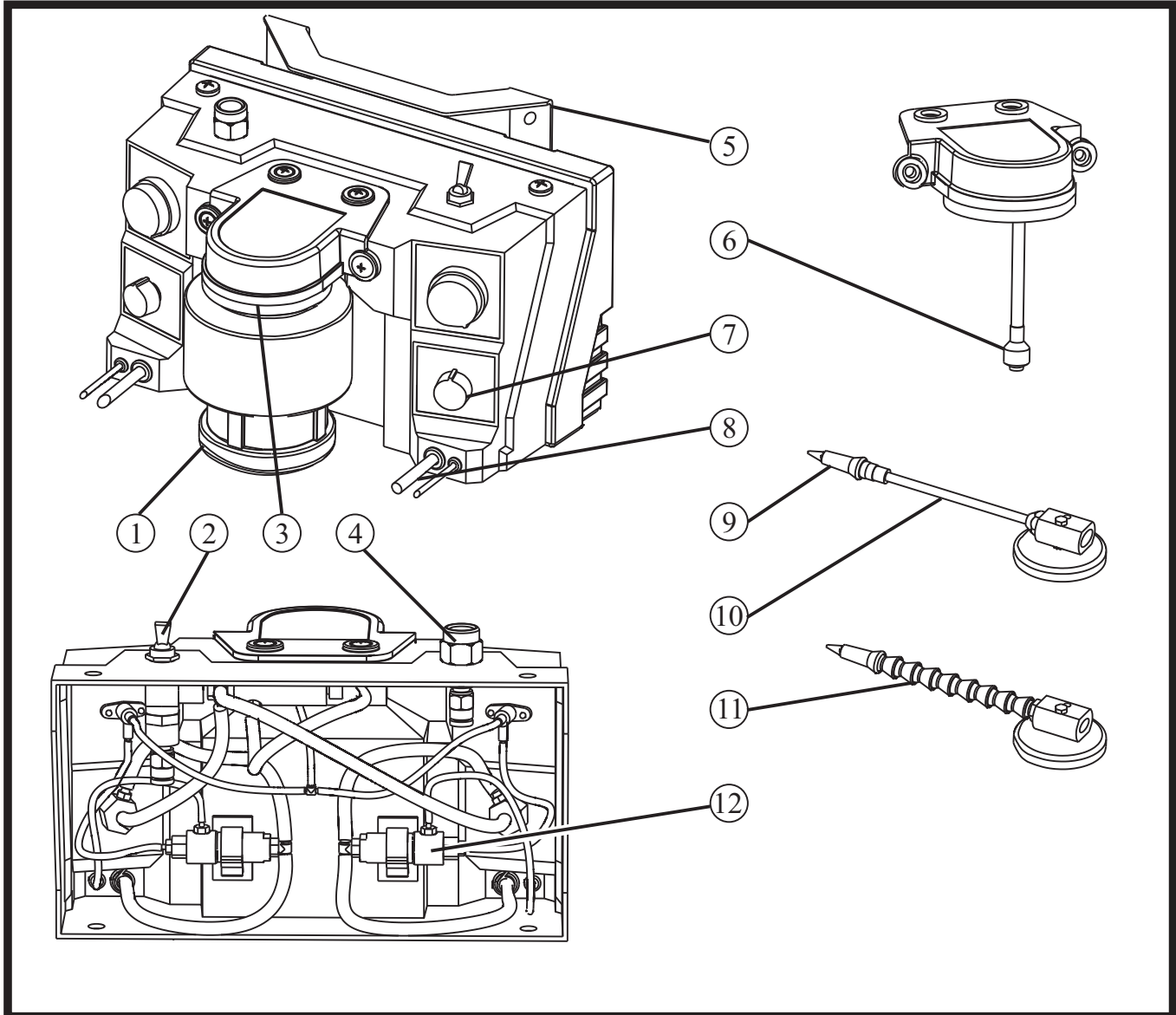




MD-1200 Service Parts

Note: Some individual parts may not be available. Items requiring factory calibration and testing are not recommended for customer installation. Ask your distributor, sales representative, or Trico customer service specialist for assistance.



Item	Description	Number	Item	Description	Number
1	Reservoir	12761R	7	Air Knob	12759R
2	Air Switch and Regulator Assembly	21831-1 line 21830-2 line	8	Plastic Dual Line	66233R
3	Reservoir "O" Ring	12782R	9	Nozzle Tip	20024R
4	Air Inlet Fitting	12748R	10	Copper Nozzle Assm.	30810
5	Mounting Bracket	12776R	11	Plastic Nozzle Assm.	30809
6	Liquid Filter	12753R	12	Anti-Siphon Valve	12767R