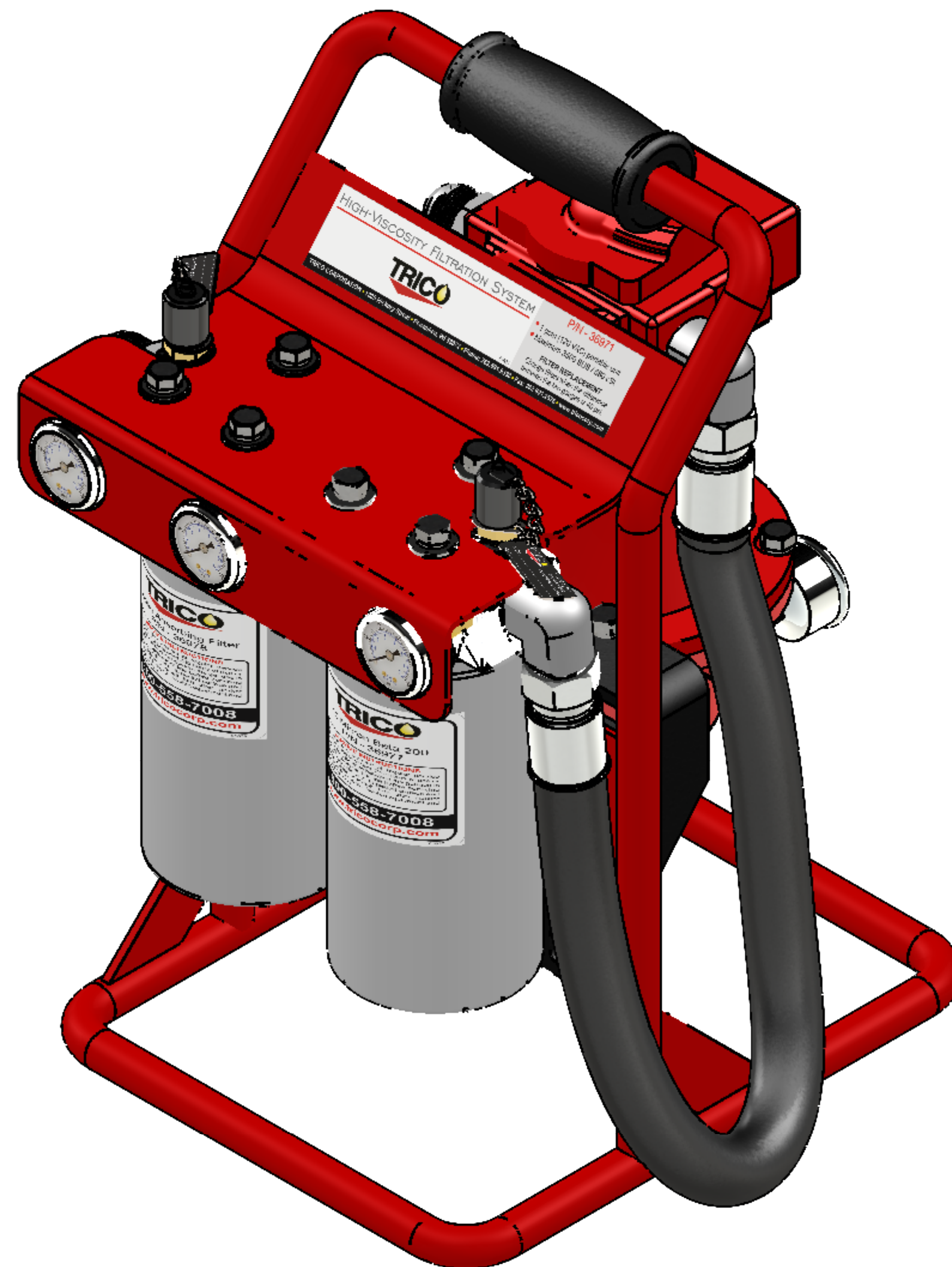
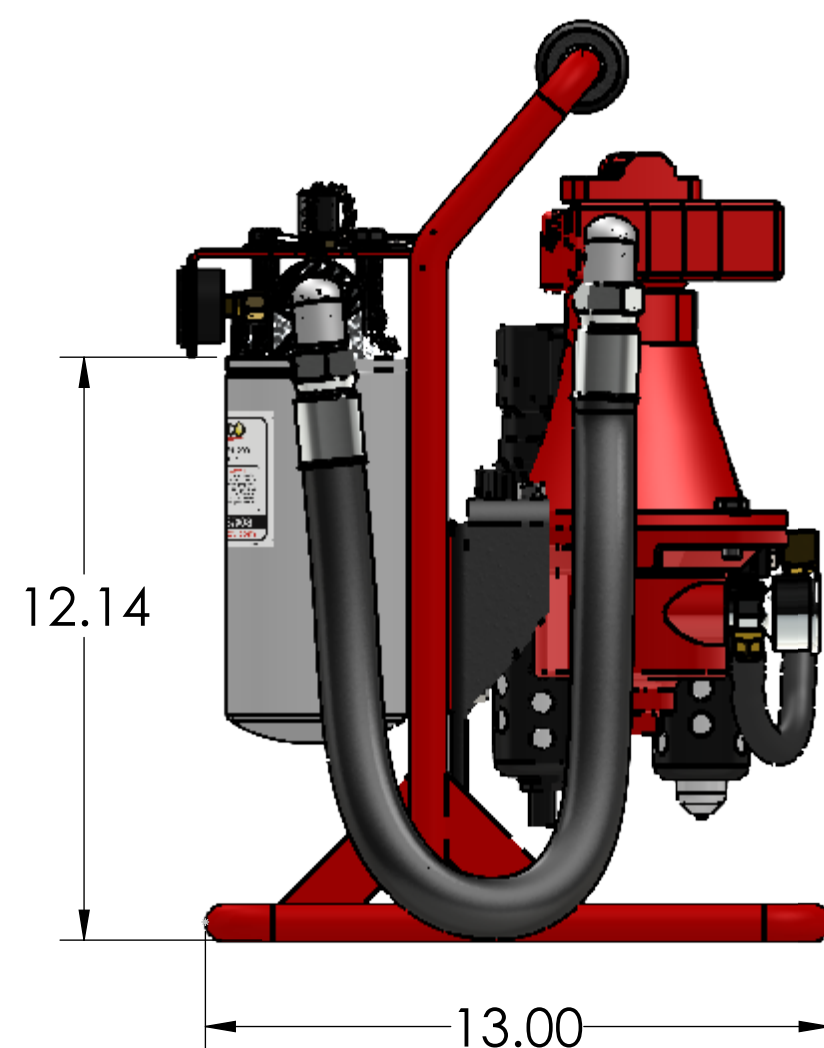
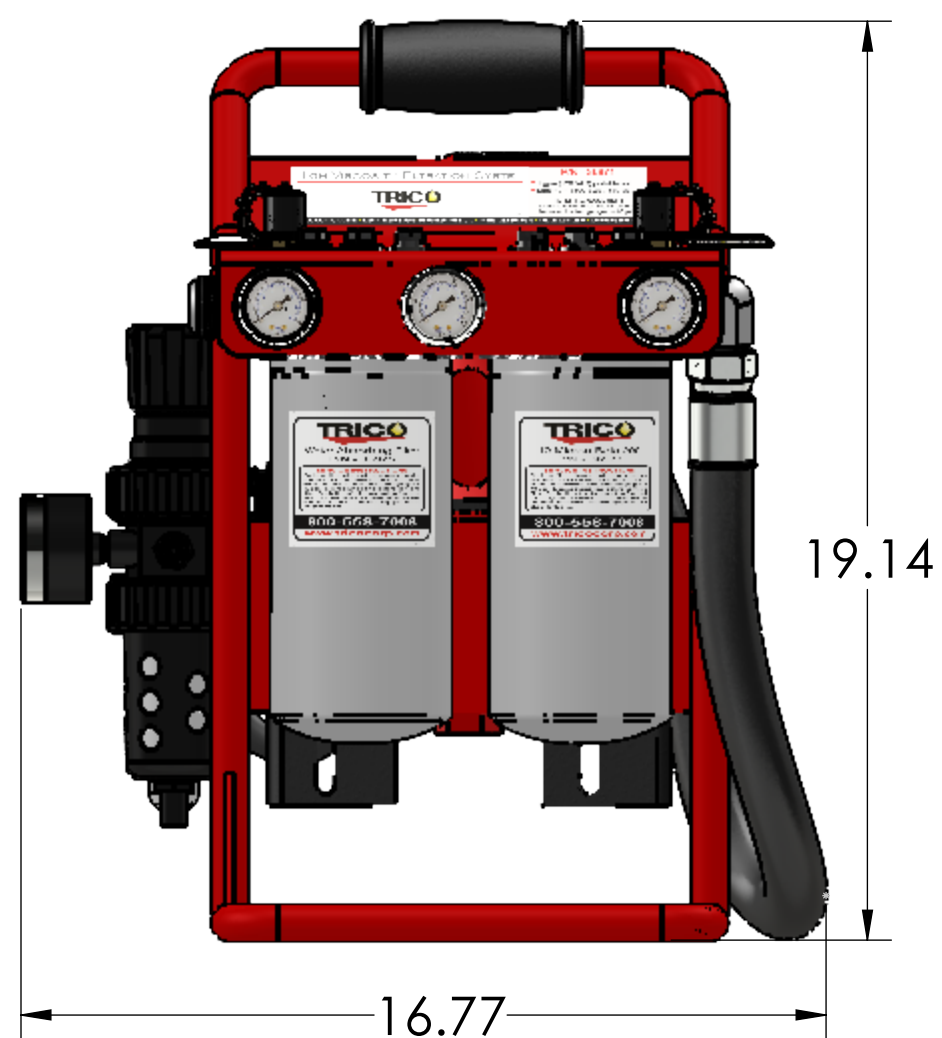
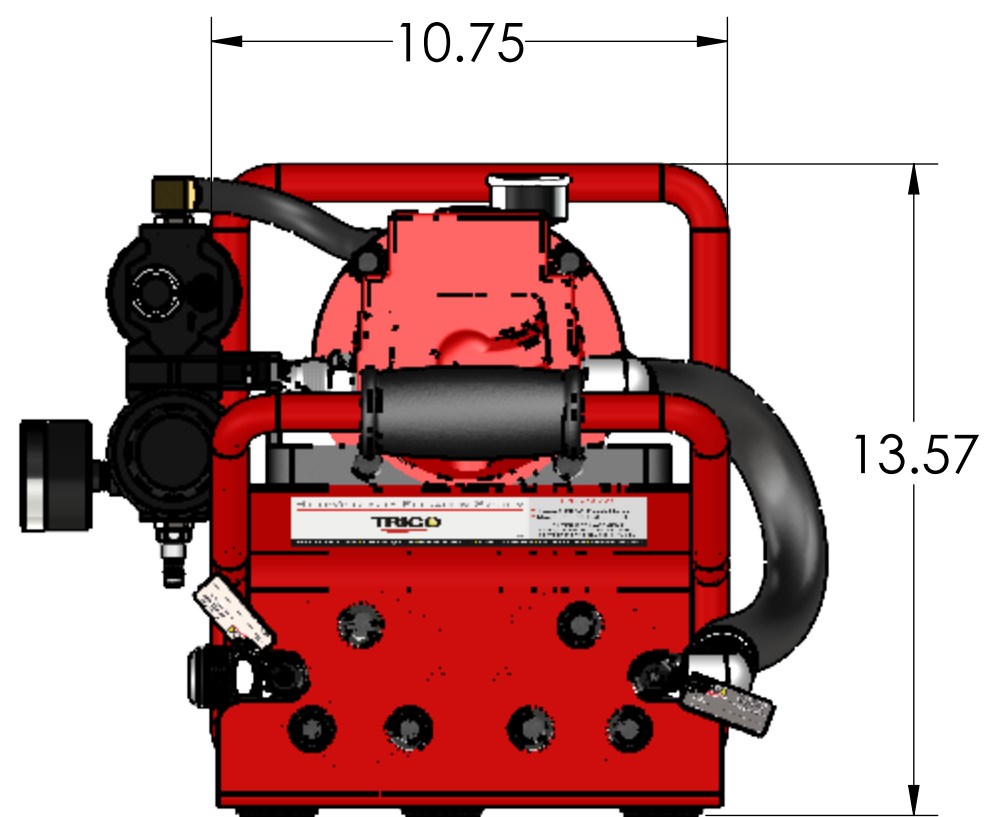


36934 - High Viscosity Pneumatic Hand-Held Filtration System

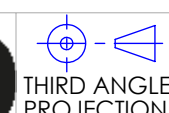


NOTES:
1.



PROPRIETARY AND CONFIDENTIAL

This drawing and any information or descriptive matter set out hereon are the confidential and copyright property of TRICO and must not be disclosed, loaned, copied or used for manufacturing, tendering or any other purpose without their written permission.



THIRD ANGLE PROJECTION

ALL DRAWINGS MUST BE CONSIDERED UNCONTROLLED UNLESS OTHERWISE STAMPED
ALL DIMENSIONS IN INCHES UNLESS OTHERWISE STATED

TOLERANCES:

X.XX ±.015 ANGLES X±1°
X.XXX ±.005
FRACTIONS ±1/16

GEOMETRICALLY TOLERANCED TO ANSI Y14.5 (BS ISO 1101)

DESCRIPTION / TITLE:
High Viscosity Pneumatic Hand-Held Filtration System

| | | |
|-------------------|------------------------------|------|
| SIZE: C | PART NUMBER: 36934 | REV. |
|-------------------|------------------------------|------|

| | | |
|----------|--------------|-------------------|
| DRAWN: | NAME: MCL | DATE: 1/4/2021 |
| CHECKED: | NAME: AFB | DATE: 1/8/2021 |
| APPRVD: | | |

| | |
|-------------|----------------|
| MATERIAL: | |
| STOCK SIZE: | |
| FINISH: | |
| SCALE: 1:4 | SHEET: 1 OF 10 |

DO NOT SCALE DRAWING