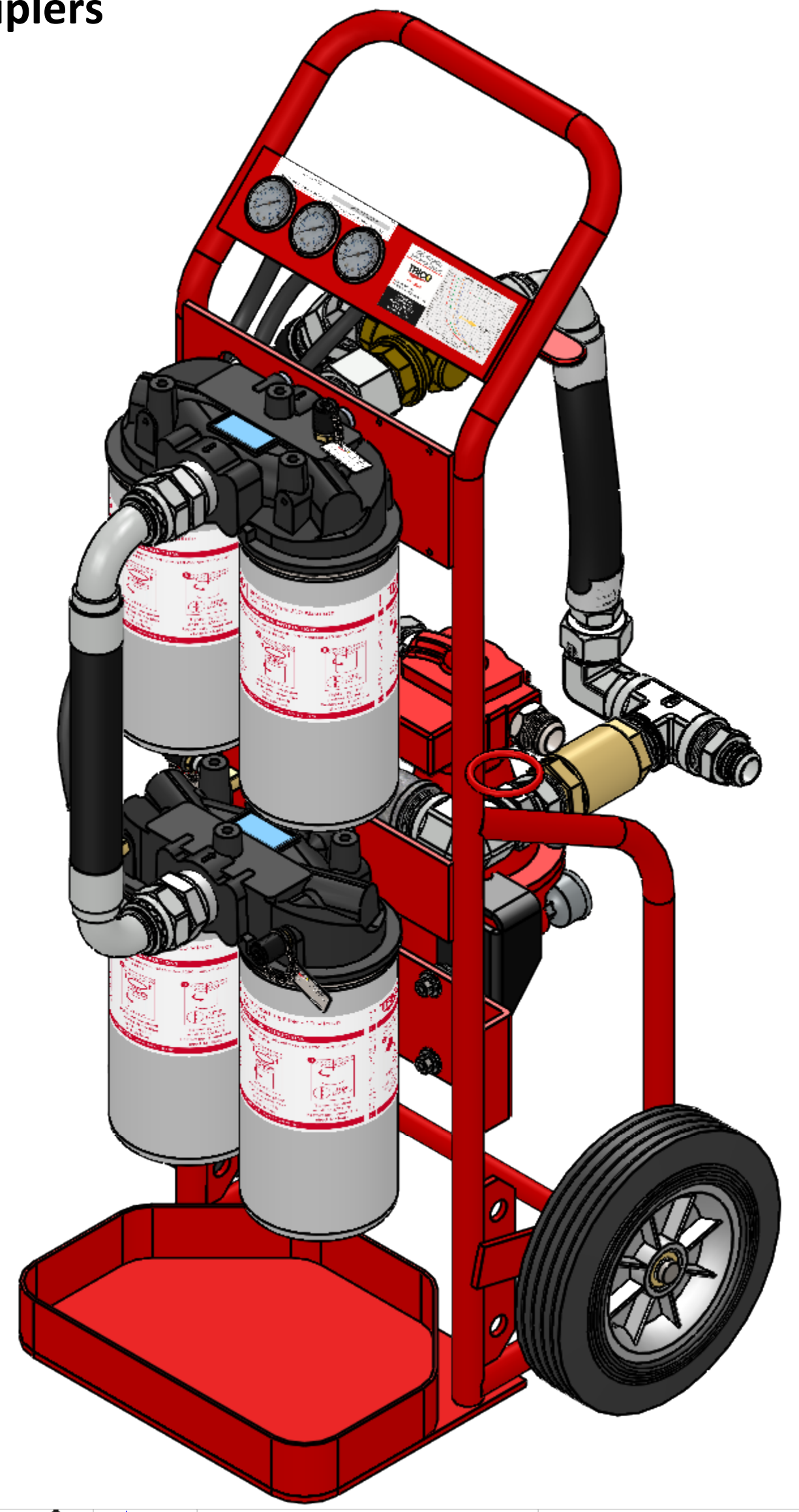
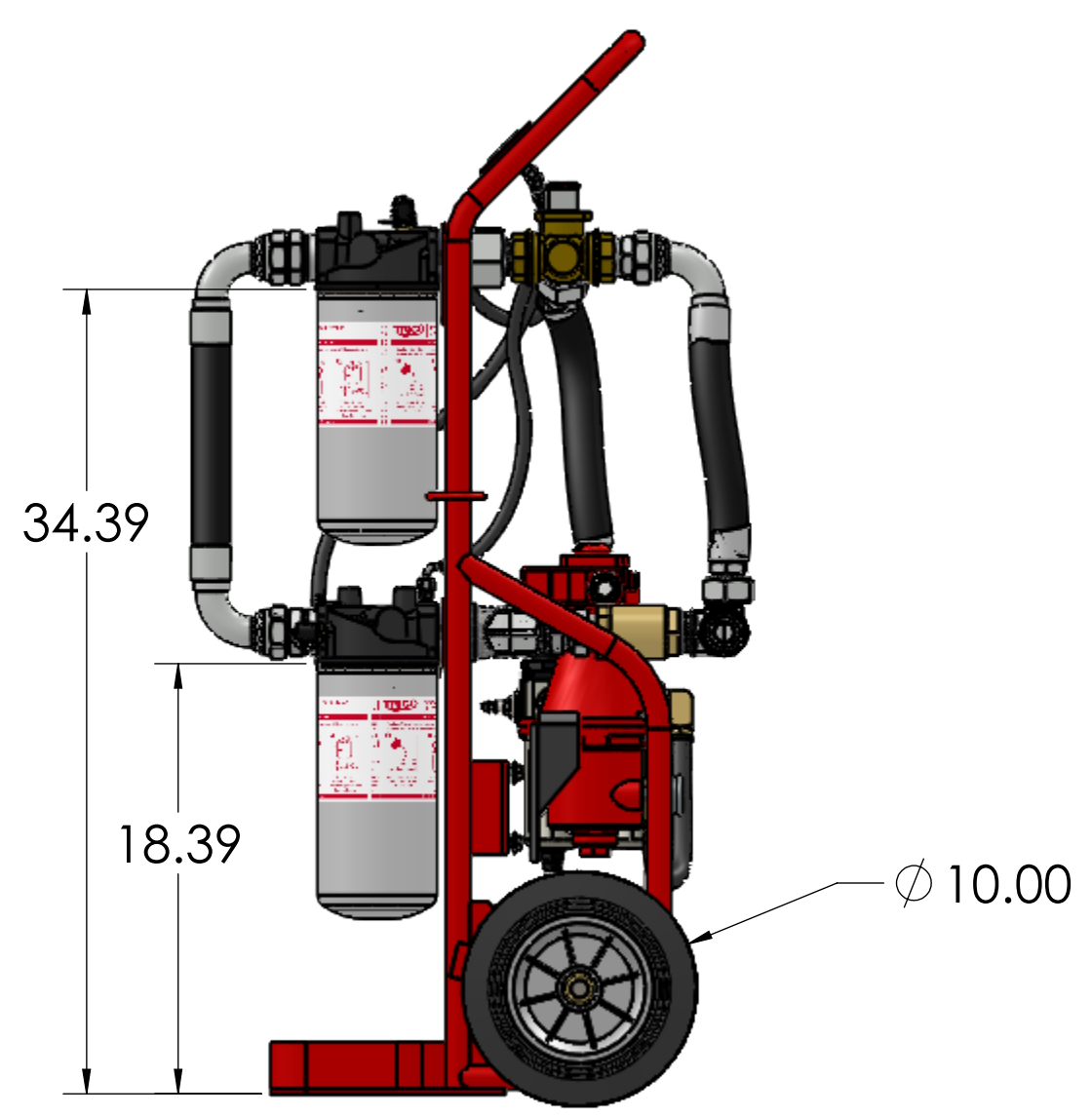
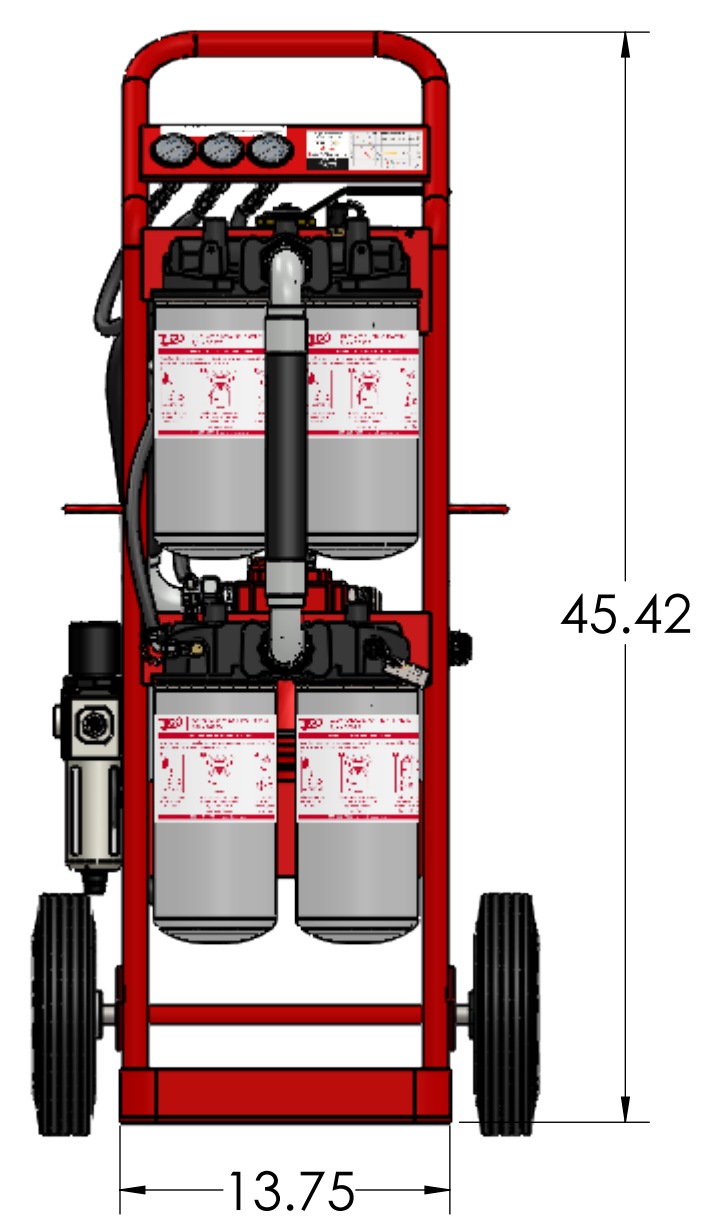
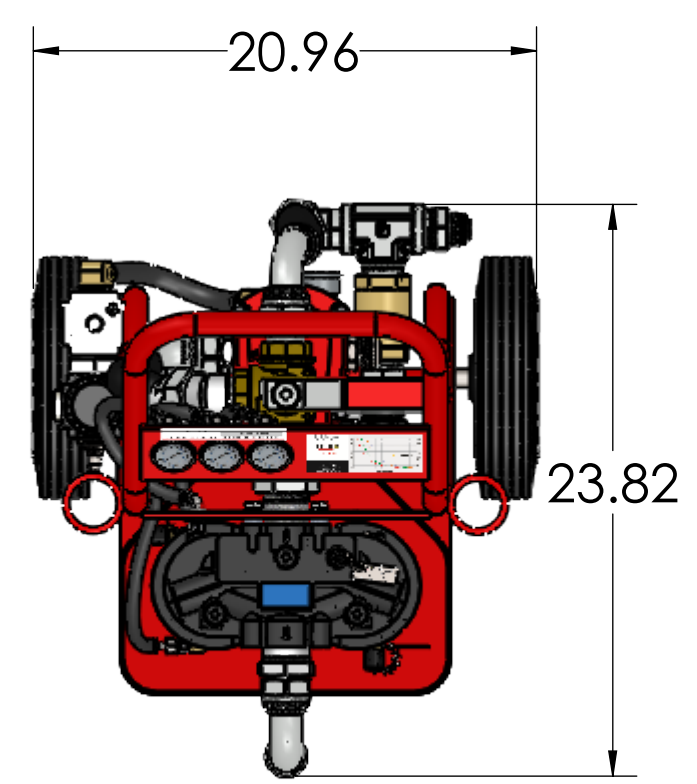


36933 = Pnuematic High-Viscosity Filtration Cart, 6ft Hose with Wands
36933-QC = Pnuematic High-Viscosity Filtration Cart, 6ft Hose with Hydraulic Couplers
36933-W-10 = Pnuematic High-Viscosity Filtration Cart, 10ft Hose with Wands
36933-QC-10 = Pnuematic High-Viscosity Filtration Cart, 10ft Hose with Hydraulic Couplers

REV.	DATE	DESCRIPTION	INIT.
B	12/28/2022	AIR REGULATOR UPDATE	AFB
C	10/20/2023	ADDED 3D PRINTED WHEEL SPACER	AFB
D	2/26/2024	ADDED WHEEL WASHER & SPACER PART NUMBER	AFB
E	6/28/2024	UPDATED TO ONE PIECE FILTER HEAD	AFB



PROPRIETARY AND CONFIDENTIAL
 This drawing and any information or descriptive matter set out hereon are the confidential and copyright property of TRICO and must not be disclosed, loaned, copied or used for manufacturing, tendering or any other purpose without their written permission.

THIRD ANGLE PROJECTION
 ALL DIMENSIONS IN INCHES UNLESS OTHERWISE STATED
 ALL DRAWINGS MUST BE CONSIDERED UNCONTROLLED UNLESS OTHERWISE STAMPED
TOLERANCES:
 X.XX ±.015 ANGLES X ±1°
 X.XXX ±.005
 FRACTIONS ±1/16
 GEOMETRICALLY TOLERANCED TO ANSI Y14.5 (BS ISO 1101)

NAME:	DATE:
MCL	1/7/2021
CHECKED:	6/28/2024
AFB	
APPRVD:	

DESCRIPTION / TITLE: High Viscosity Pneumatic Hand Truck Style Filter Cart		
SIZE: C	PART NUMBER: 36933	REV. E
MATERIAL:	STOCK SIZE:	
FINISH:	SCALE: 1:8	
DO NOT SCALE DRAWING		SHEET: 1 OF 14