

LIQUID LEVEL GAUGE FOR SPECTRUM BULK OIL STORAGE SYSTEMS INSTRUCTIONS



61272
Rev 1 12/28/2021

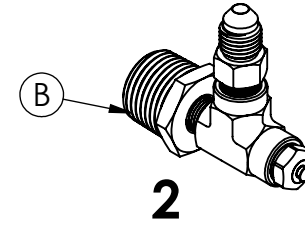
**COVER
SHEET**

1 OF 5

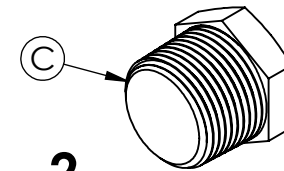
LIQUID LEVEL GAUGE FOR SPECTRUM BULK OIL STORAGE SYSTEMS INSTRUCTIONS



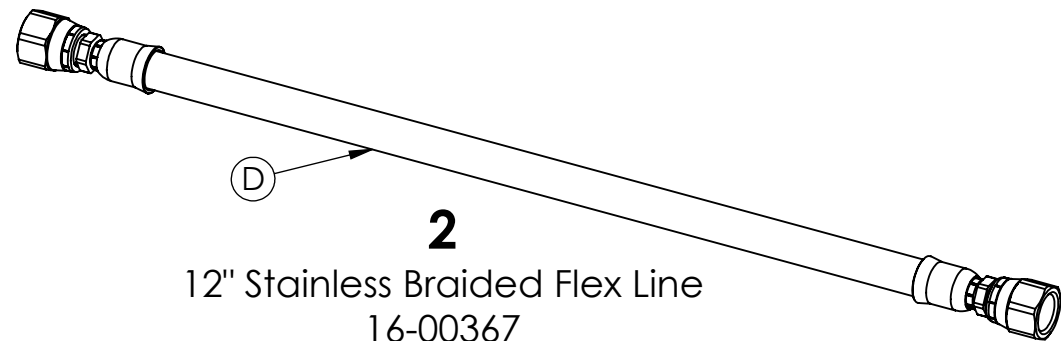
2
12.5" LIQUID LEVEL
GAUGE ASSEMBLY



2
BREATHER TEE
ADAPTER ASSEMBLY



2
Plug, Hex, 1" NPT
18358



2
12" Stainless Braided Flex Line
16-00367

TOOLS NEEDED:

- 2" PIPE WRENCH
- 2" ADJUSTABLE WRENCH
- THREAD SEALANT



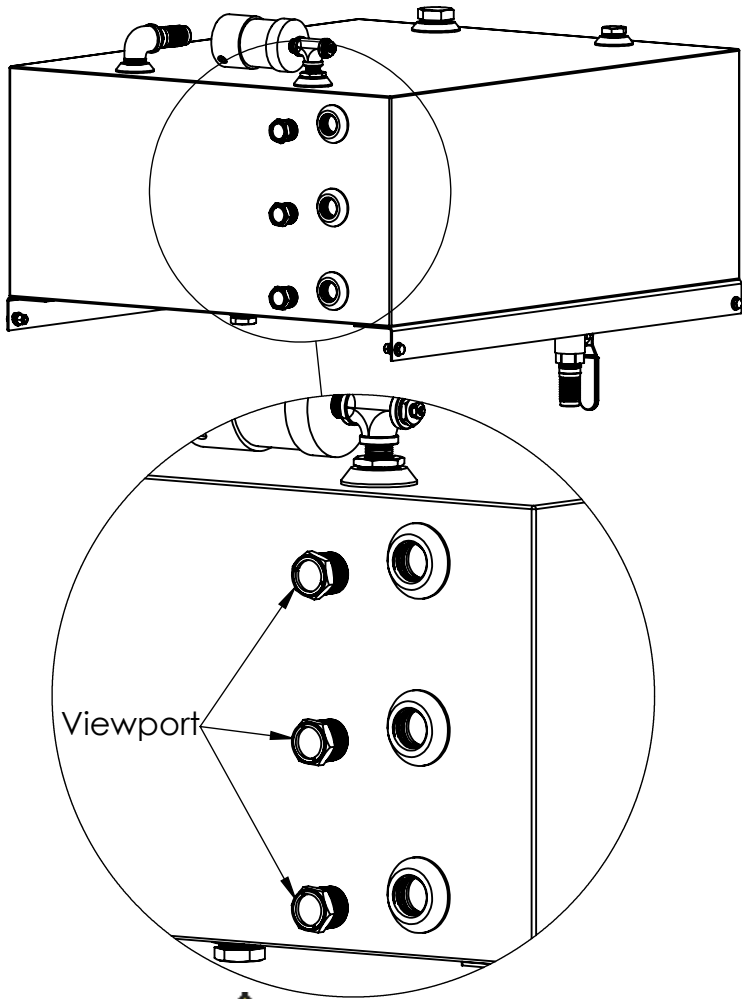
INCLUDED
PARTS

2 OF 5

LIQUID LEVEL GAUGE FOR SPECTRUM BULK OIL STORAGE SYSTEMS INSTRUCTIONS

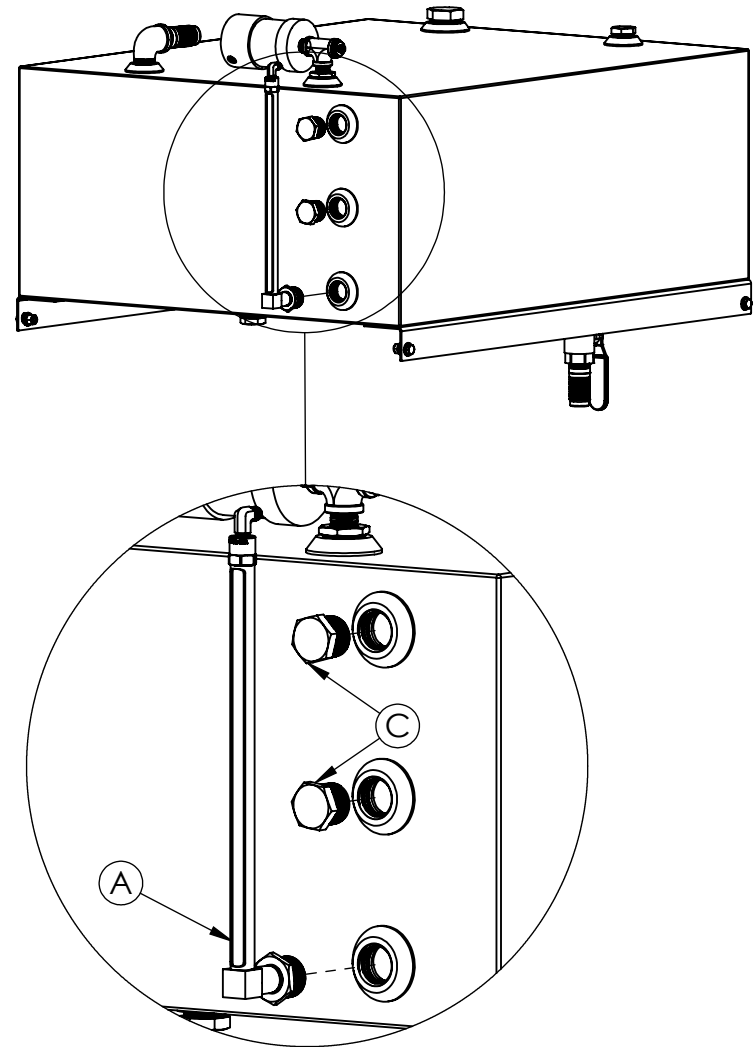
STEP 1

1. Make sure both tanks are empty of fluid
2. Remove all 6 Viewports from the front of each Upper and Lower tank



STEP 2

1. Using thread sealant, install Hex Plugs (C) into the middle and upper 1" NPT ports on the front of the Upper and Lower tank
2. Using thread sealant, install the 12.5" Liquid Level Gauge Assembly (A) into the lower 1" NPT port on the front of the Upper and Lower tank

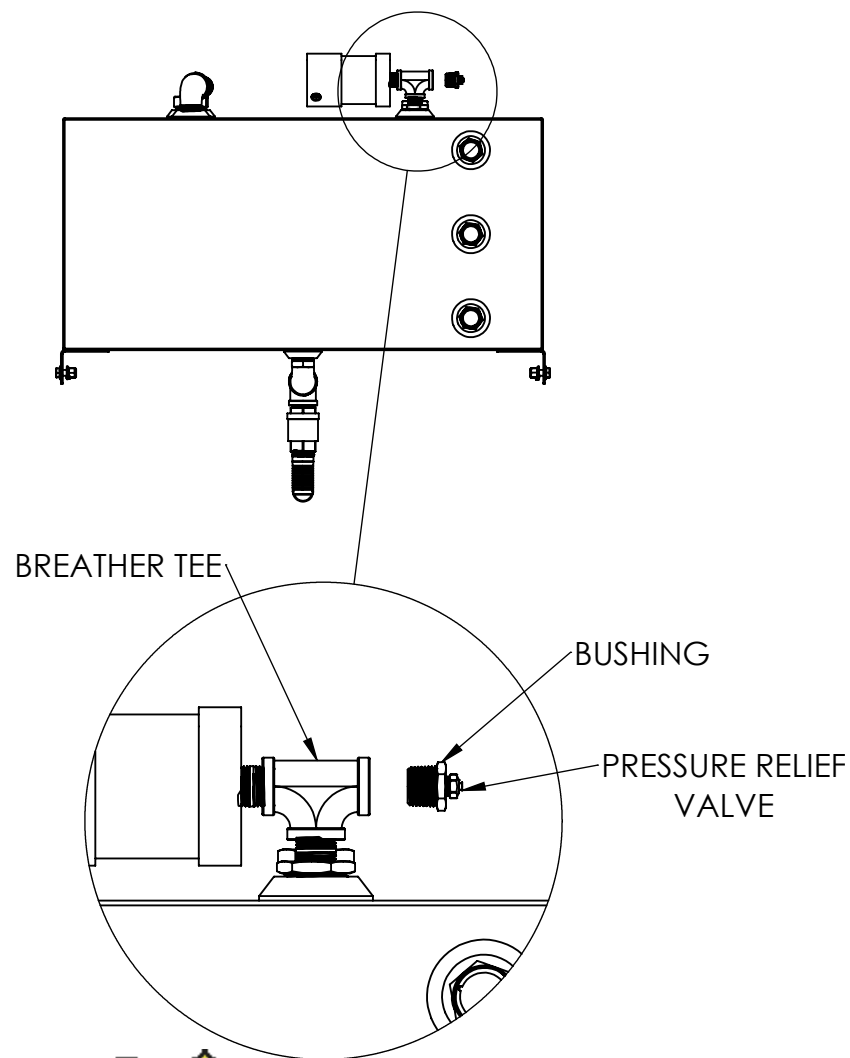


NOTE: ONLY UPPER TANK SHOWN, REPEAT FOR LOWER TANK

LIQUID LEVEL GAUGE FOR SPECTRUM BULK OIL STORAGE SYSTEMS INSTRUCTIONS

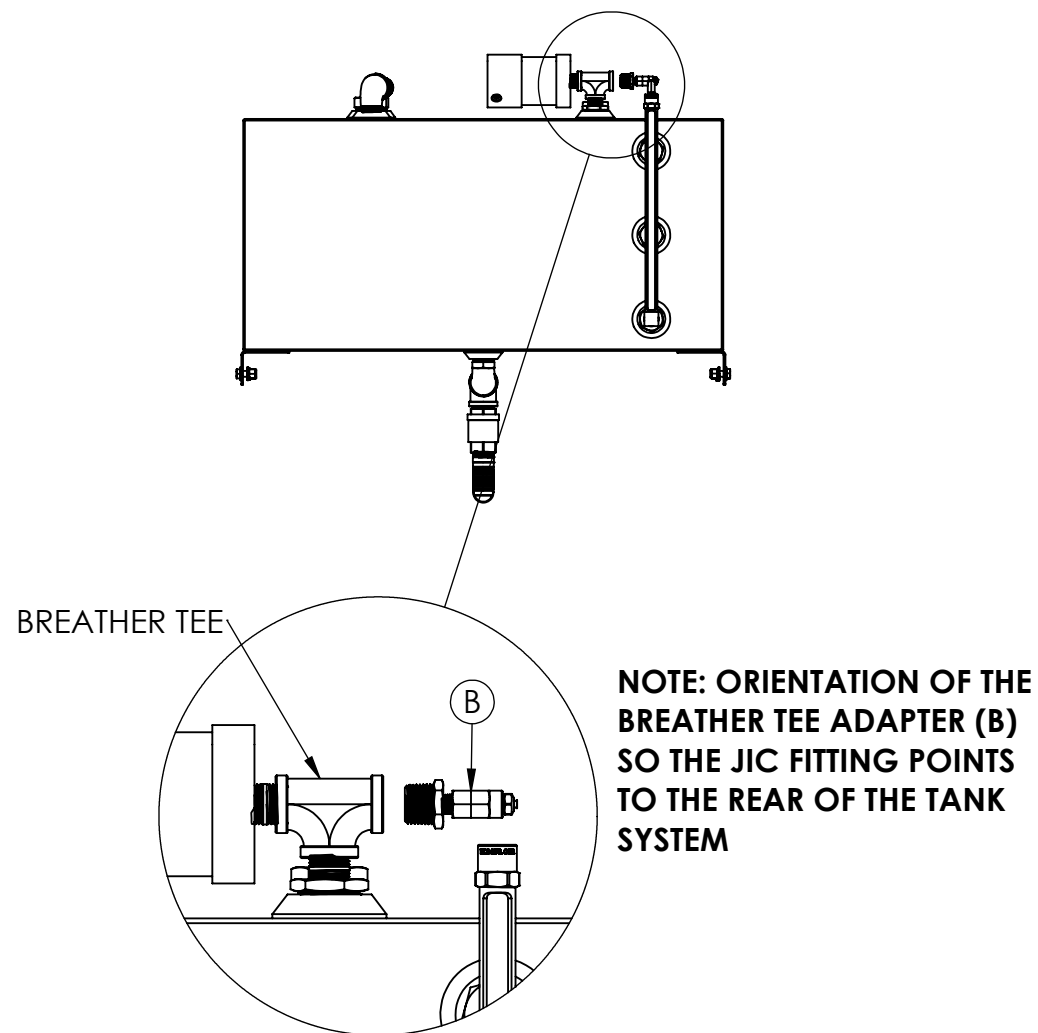
STEP 3

1. Remove the bushing and pressure relief valve from the breather tee off the top of each Upper and Lower tank



STEP 4

1. Using thread sealant, install the Breather Tee Adapter Assembly (B) into the breather tee on the top of the Upper and Lower tank



NOTE: ORIENTATION OF THE BREATHING TEE ADAPTER (B) SO THE JIC FITTING POINTS TO THE REAR OF THE TANK SYSTEM



NOTE: ONLY UPPER TANK SHOWN, REPEAT FOR LOWER TANK

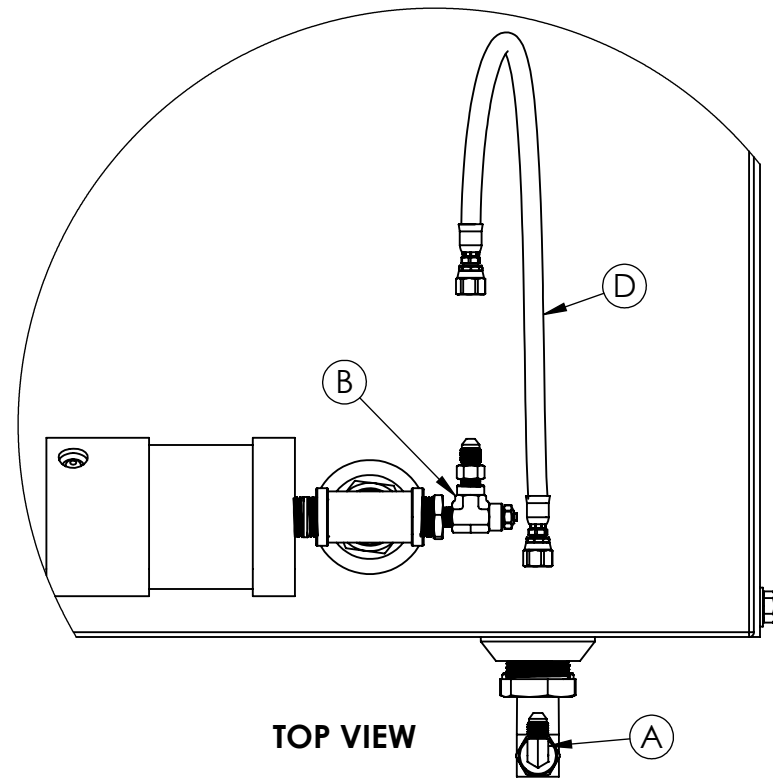
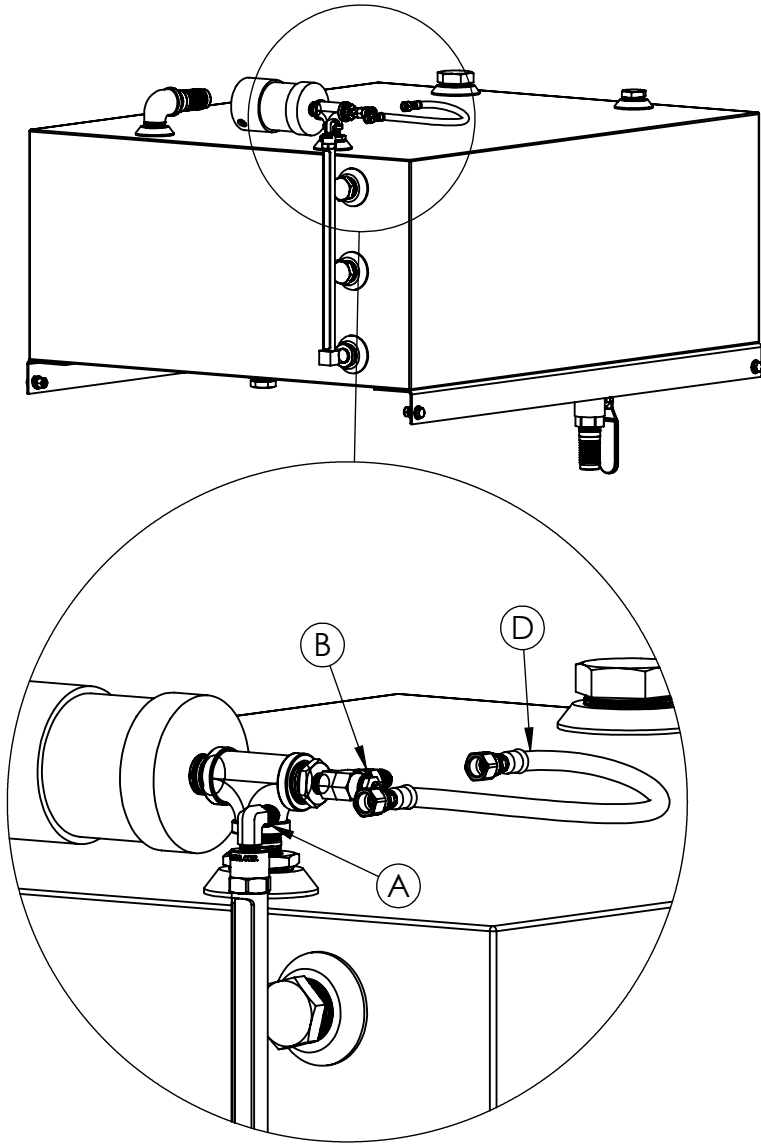
**BREATHING TEE
ASSEMBLY**

4 OF 5

LIQUID LEVEL GAUGE FOR SPECTRUM BULK OIL STORAGE SYSTEMS INSTRUCTIONS

STEP 5

1. Connect the JIC fitting on the Breather Tee Adapter Assembly (B) to the JIC fitting on the 12.5" Liquid Level Gauge Assembly (A) using the 12" Stainless Braided Flex Line (D)
2. Repeat Steps 1-5 for the Lower tank



NOTE: ONLY UPPER TANK SHOWN, REPEAT FOR LOWER TANK