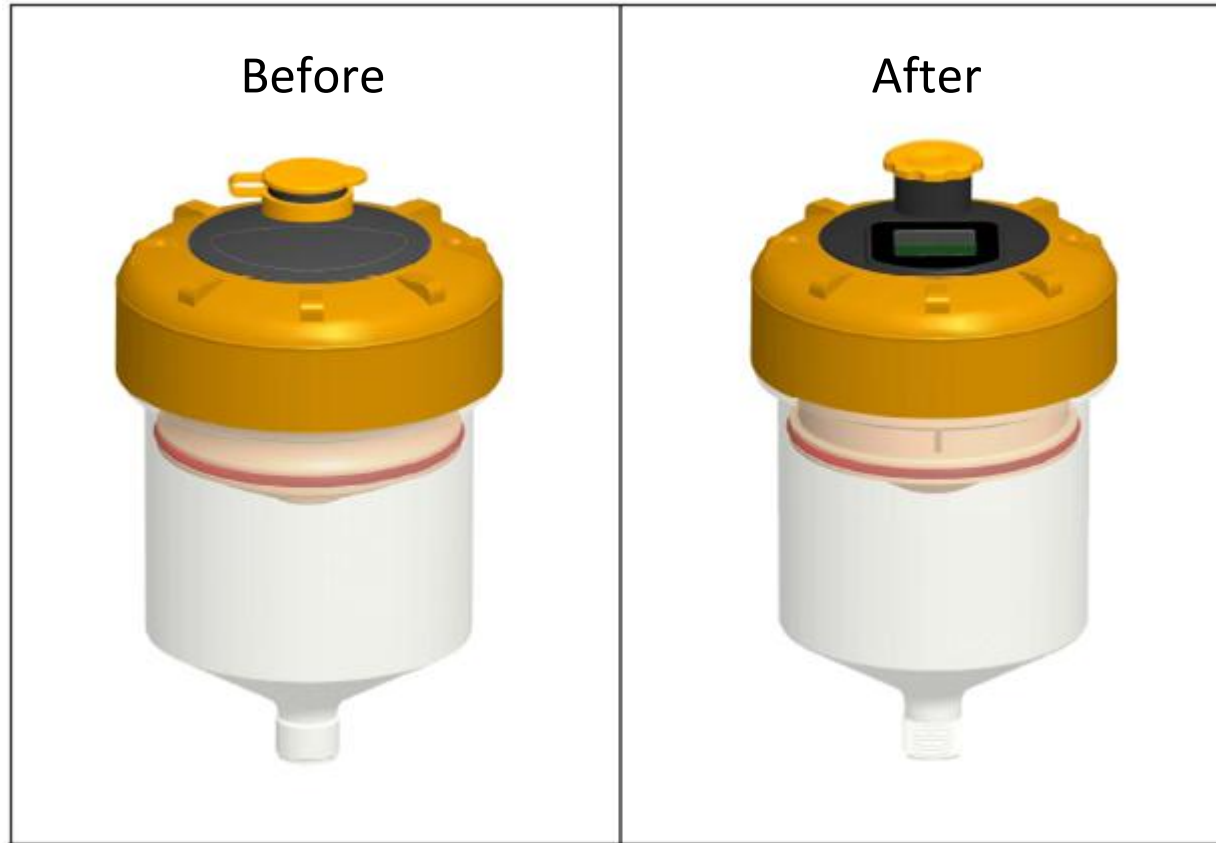
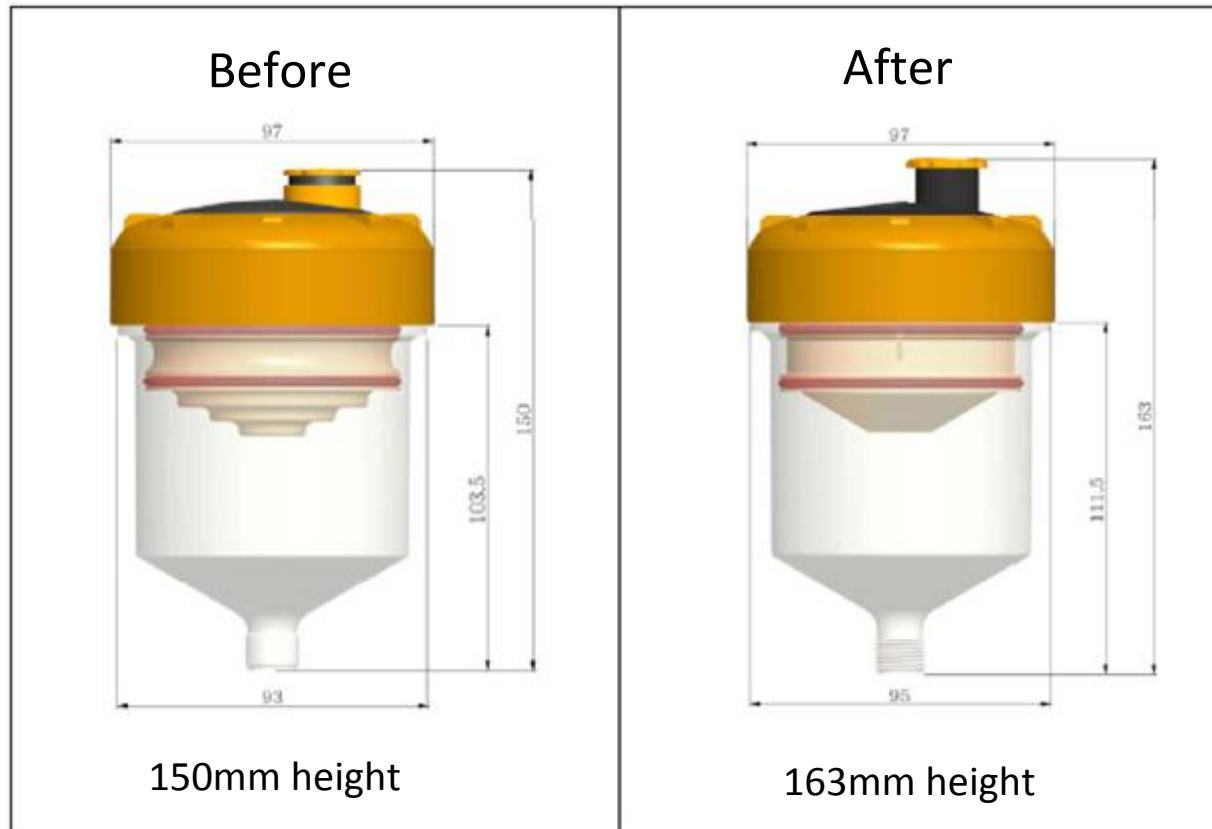


Overall Design – Before and After

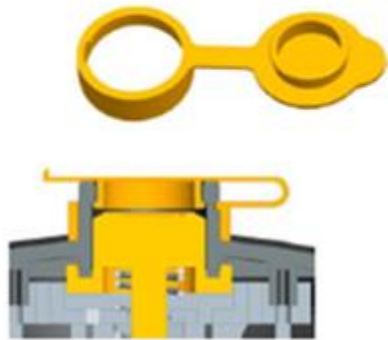


Increased Height – Before and After



Mode Cap – Before and After

Before



Sectional View

Pop-off type cap

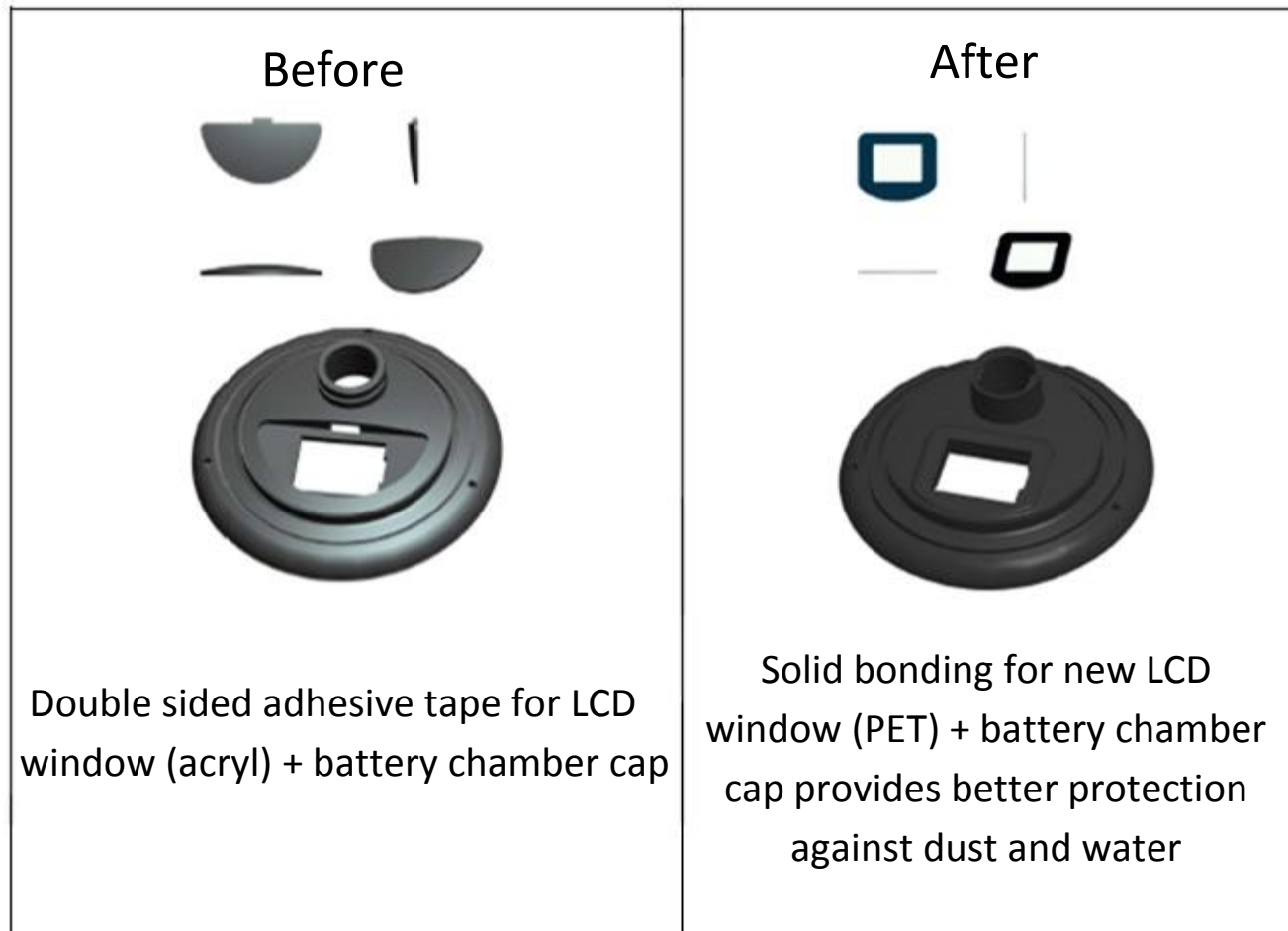
After



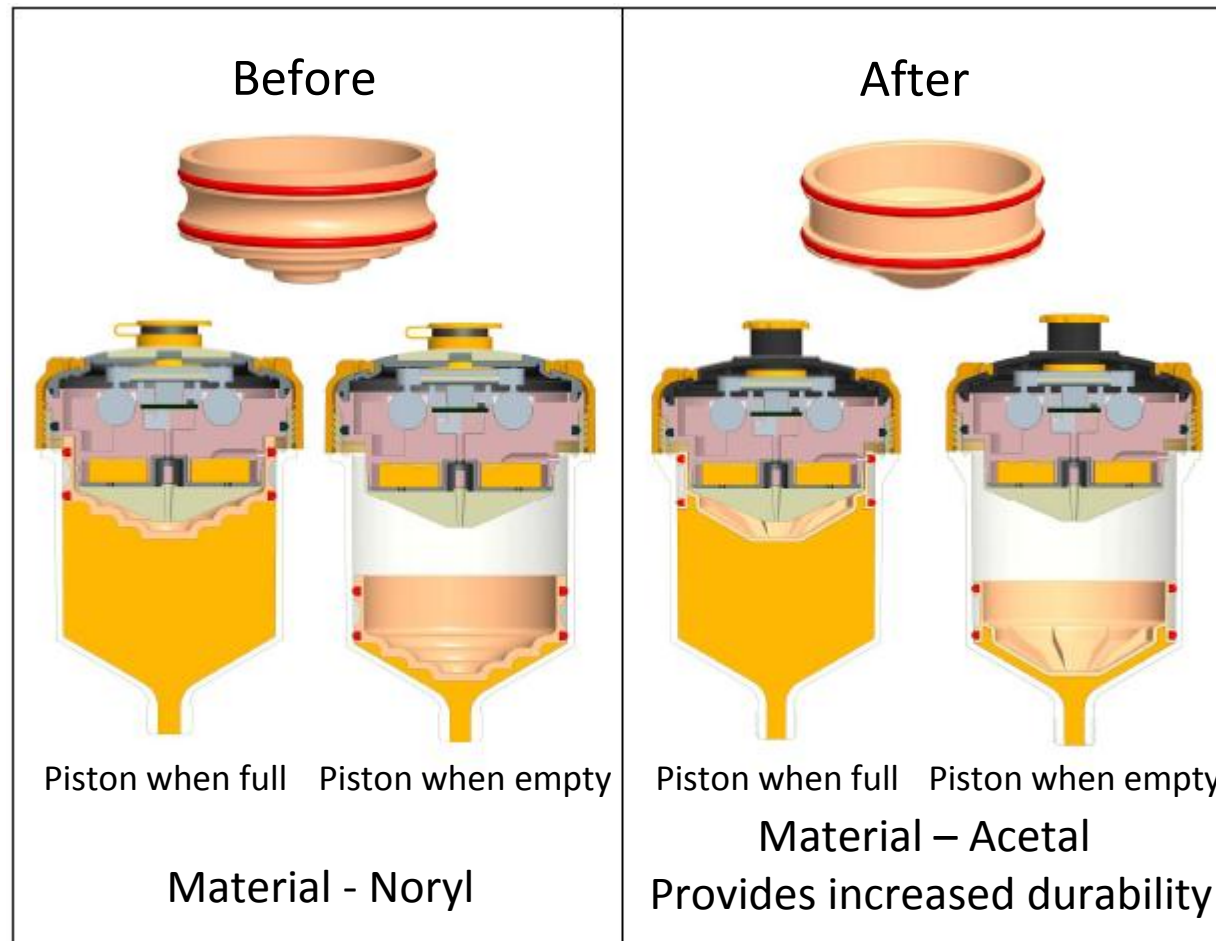
Sectional View

Rotating, locking, serration type cap
with o-ring provides better
protection against dust and water

LCD Window and Battery Chamber Cap – Before and After



Piston – Before and After



IP Rating – Before and After

