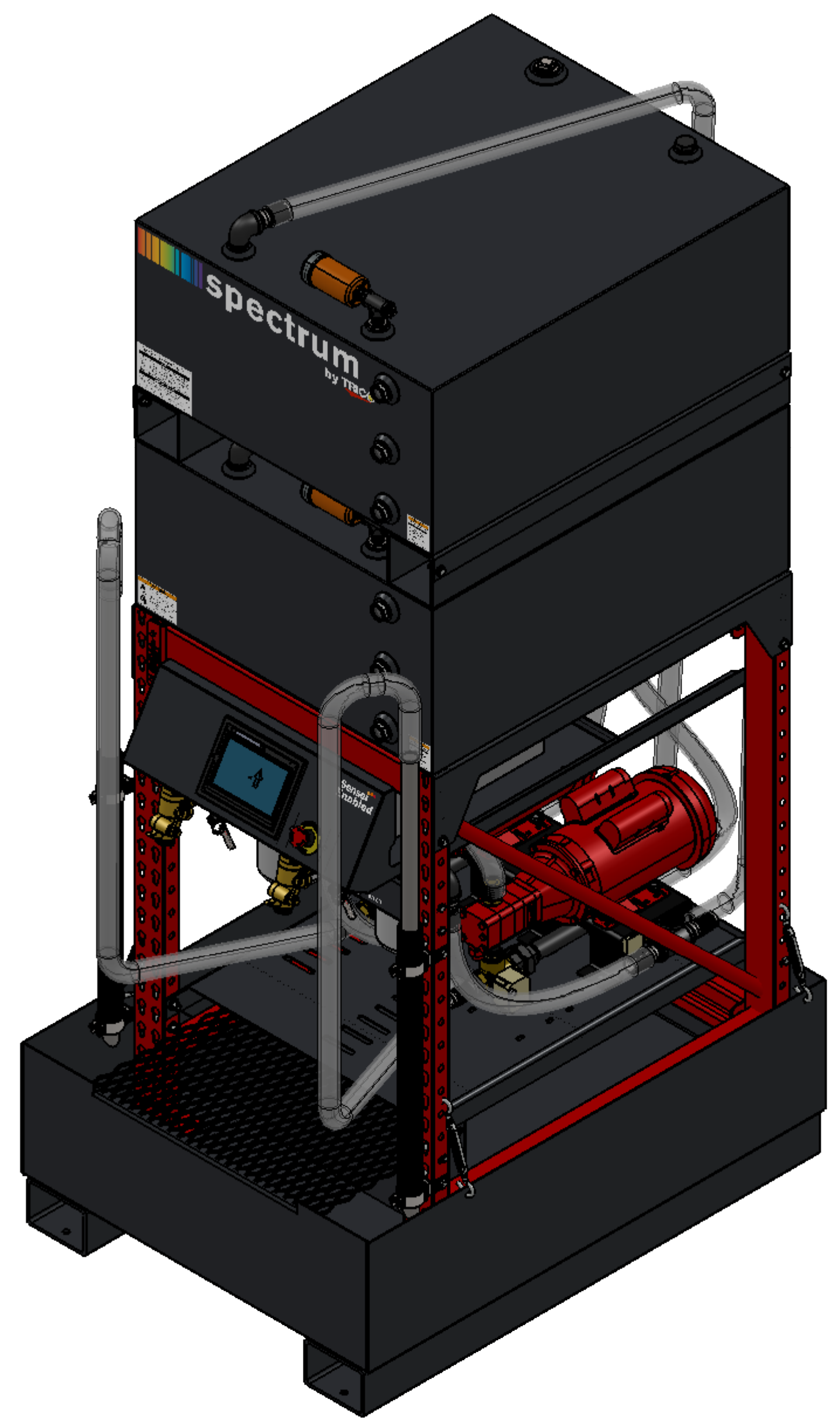
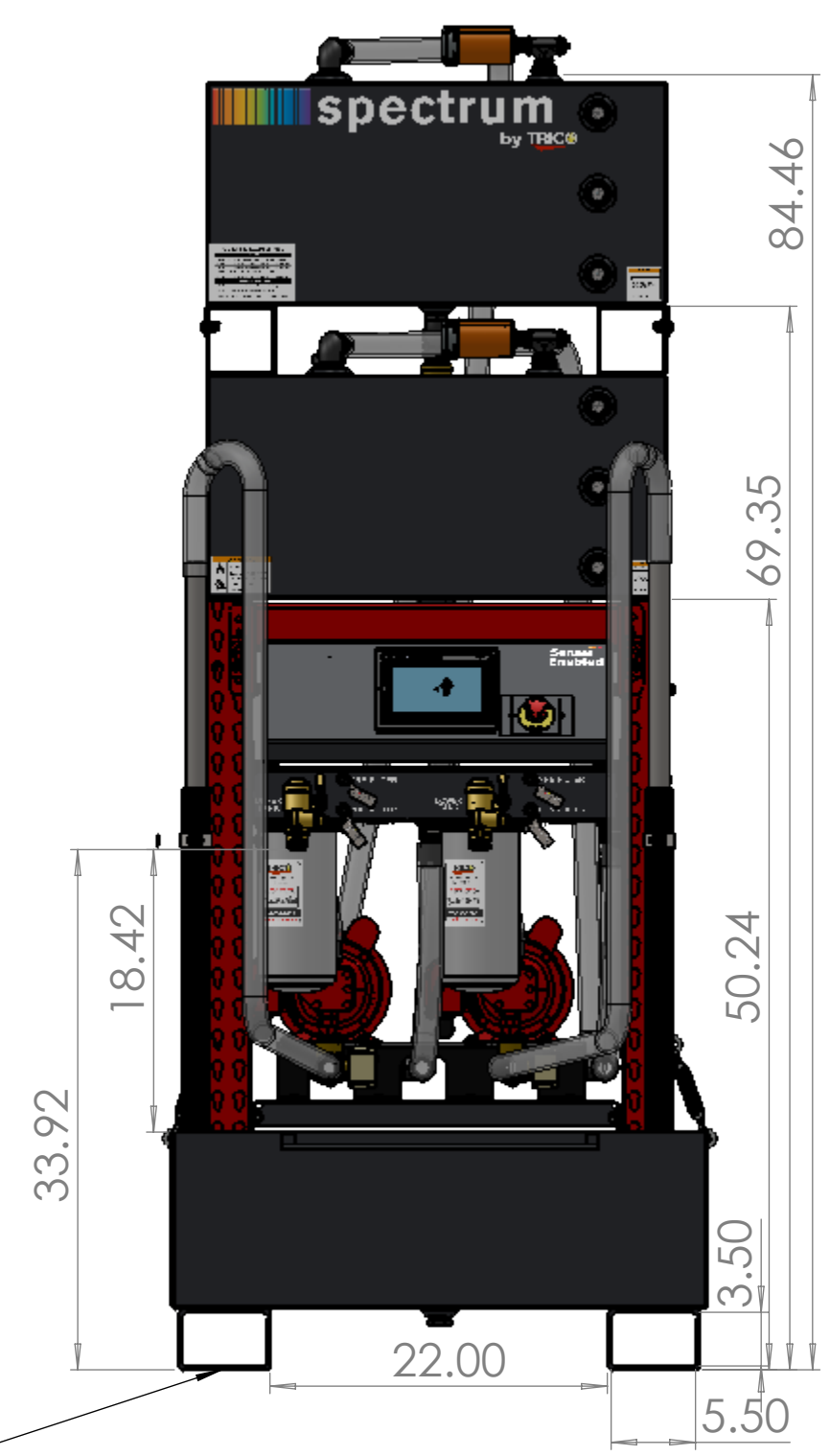
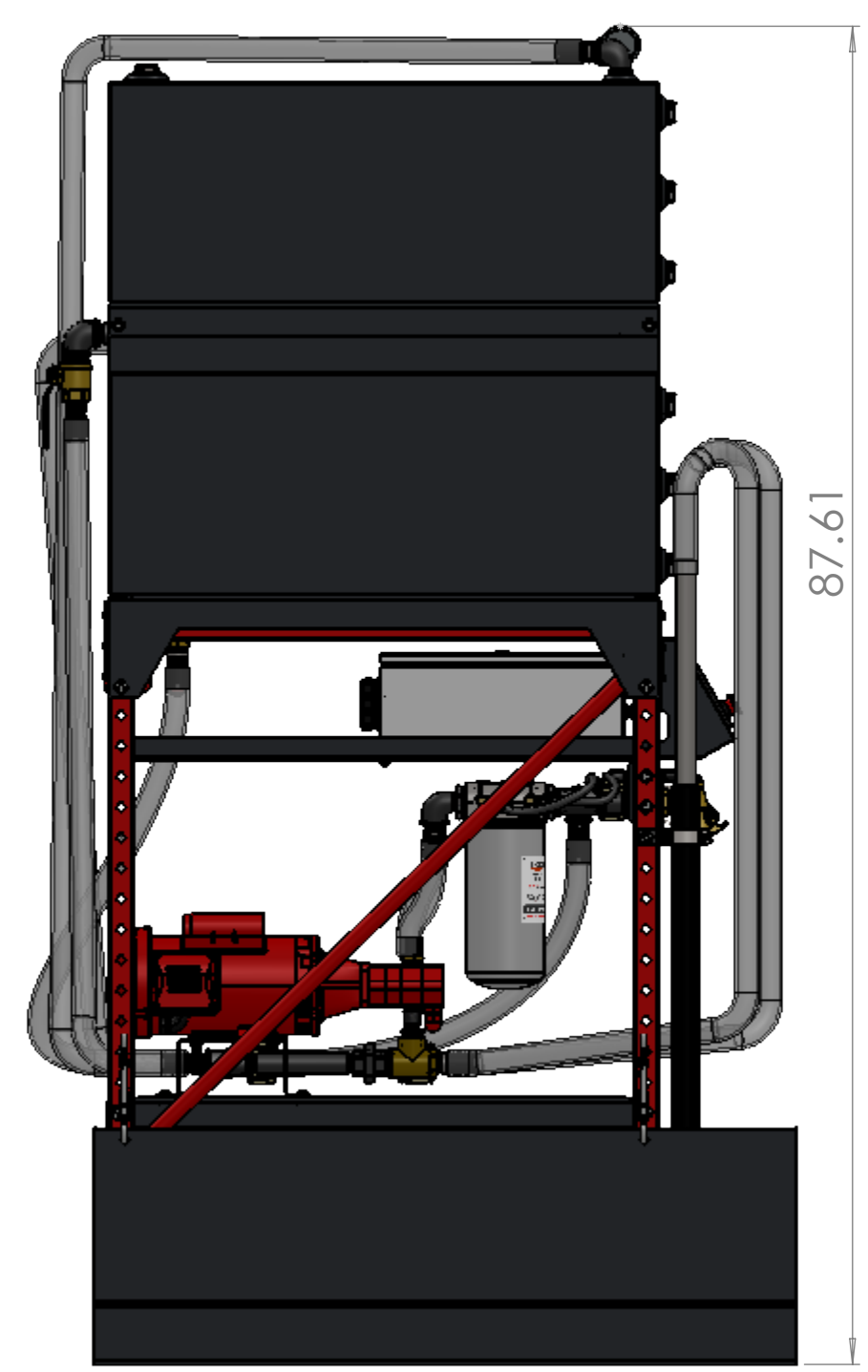
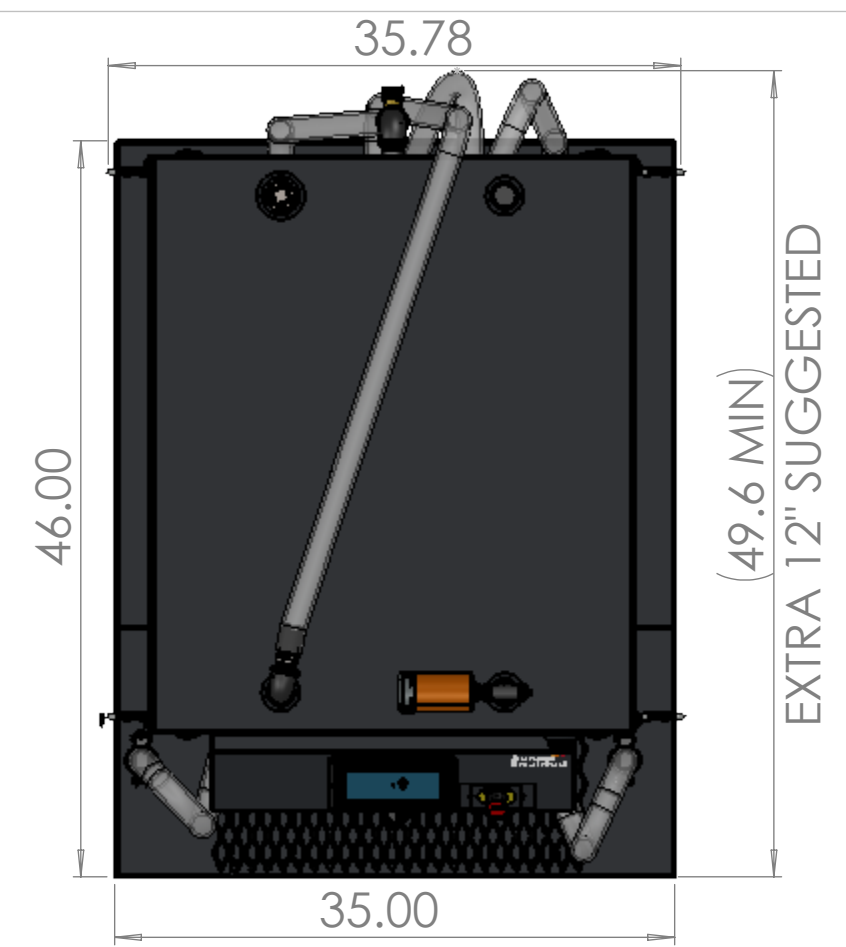
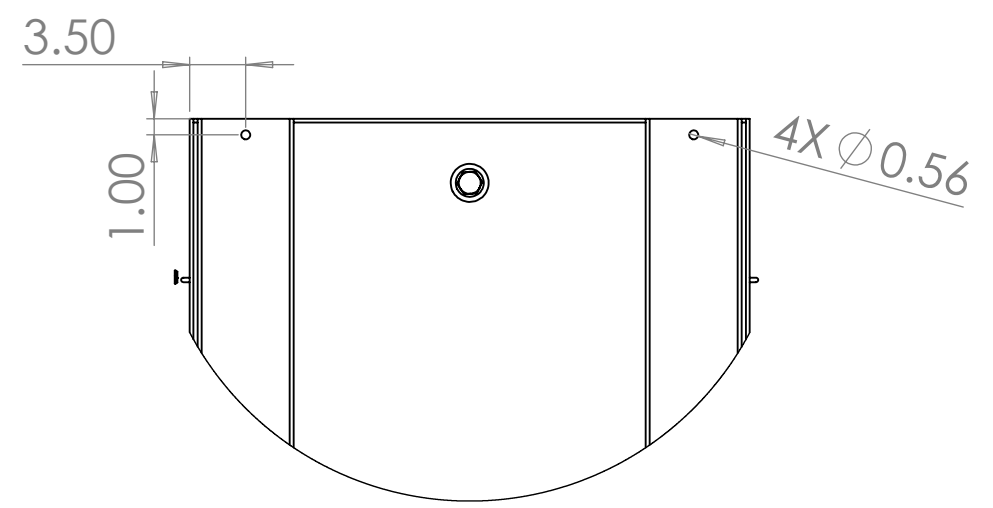


DRY WEIGHT: 950 LBS
 SHIPPING SKID SIZE: 41X58
 RACKING CAPACITY: 2500LBS
 POWER REQUIREMENTS:
 240V SINGLE PHASE 30A
 TWIST-LOCK NEMA L14-30 PLUG
 WETTED PARTS MATERIALS LIST:
 STAINLESS STEEL, GALVANIZED
 STEEL, ZINC PLATED STEEL, PVC,
 VITON, BUNA, BRASS, BRONZE,
 ALUMINUM, GALVANIZED IRON,
 BLACK COATED IRON



MOUNTING DETAILS



REVISIONS			
REV.	DESCRIPTION	DATE	APPROVED
A	BREATHER UPDATE	2/5/2024	AFB



PROPRIETARY AND CONFIDENTIAL
 This drawing and any information or descriptive matter set out hereon are the confidential and copyright property of TRICO and must not be disclosed, loaned, copied or used for manufacturing, tendering or any other purpose without their written permission.

ALL DRAWINGS MUST BE CONSIDERED UNCONTROLLED UNLESS OTHERWISE STAMPED
 ALL DIMENSIONS IN INCHES UNLESS OTHERWISE STATED
TOLERANCES:
 X.XX ±.015 ANGLES X ±1°
 X.XXX ±.005
 FRACTIONS ±1/16
 GEOMETRICALLY TOLERANCED TO ANSI Y14.5 (BS ISO 1101)

THIRD ANGLE PROJECTION	NAME:	DATE:
DRAWN:	AFB	10/1/2021
CHECKED:	AFB	2/5/2024
APPRVD:		

DESCRIPTION / TITLE: INTELLIGENT 2 TANK SPECIFICATIONS		
SIZE: C	PART NUMBER: 37220	REV. A
MATERIAL: STOCK SIZE: FINISH:		
SCALE: 1:10	SHEET: 1 OF 1	
DO NOT SCALE DRAWING		