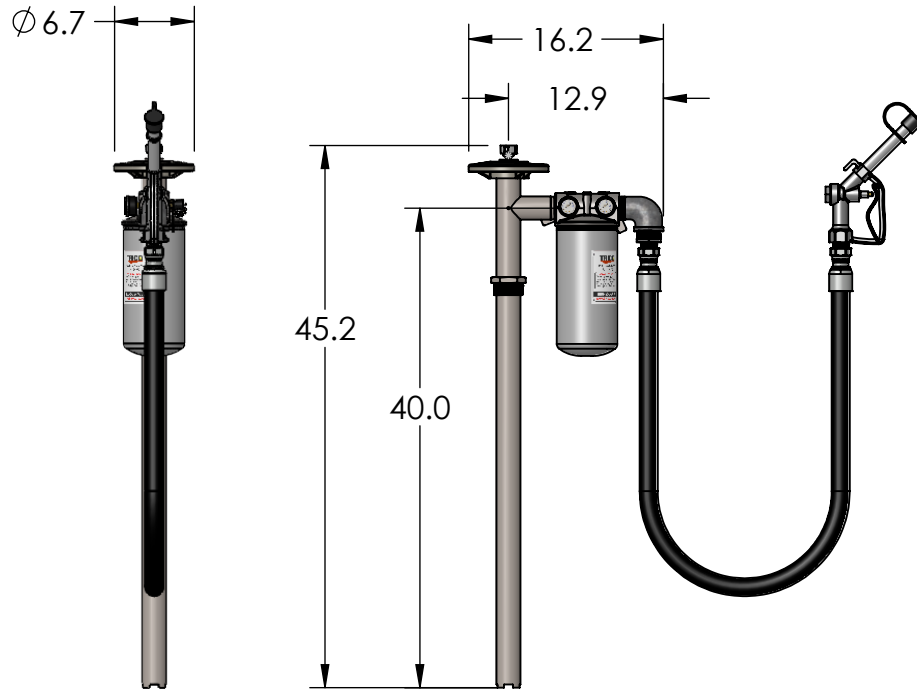
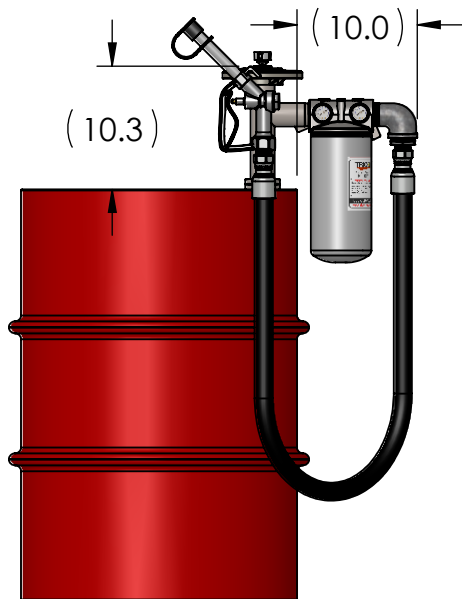
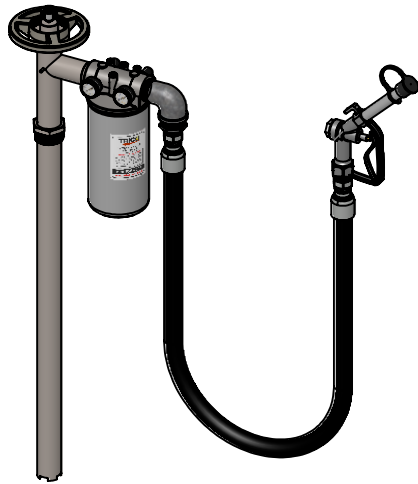


REV.	DATE	DESCRIPTION	INIT.
A	10/13/2023	INITIAL RELEASE	AFB

DRY WEIGHT: 31 LBS
 SHIPPING SIZE: 47X16X8
 WETTED PARTS MATERIAL LIST: 316 SS,
 PTFE, VITON, CARBON GRAPHITE,
 ALUMINUM, NBR, BRASS, YELLOW
 ZINC & CHROME PLATED STEEL,
 BLACK OXIDE STEEL, GALVANIZED
 STEEL, RAW STEEL, GALVANIZED IRON



Replacement Part	Part Number
Particulate Filter - 3 Micron Microglass Spin On Beta \geq 200 Absolute	36972
Particulate Filter - 10 Micron Microglass Spin On Beta \geq 200 Absolute	36973
Particulate Filter - 20 Micron Microglass Spin On Beta \geq 200 Absolute	36974
Water Filter - 10 Micron Nominal Spin On	36975
Water Filter - 25 Micron Microglass Spin On Beta \geq 200 Absolute	36995



PROPRIETARY AND CONFIDENTIAL

This drawing and any information or descriptive matter set out hereon are the confidential and copyright property of TRICO and must not be disclosed, loaned, copied or used for manufacturing, tendering or any other purpose without their written permission.



TOLERANCES:
 X.XX \pm .015 ANGLES X \pm 1°
 X.XXX \pm .005
 FRACTIONS \pm 1/16

ALL DRAWINGS MUST BE CONSIDERED UNCONTROLLED UNLESS OTHERWISE STAMPED
 ALL DIMENSIONS IN INCHES UNLESS OTHERWISE STATED

GEOMETRICALLY TOLERANCED TO ANSI Y14.5 (BS ISO 1101)

DESCRIPTION / TITLE:
LV DRUM PUMP SPECS

SIZE: A	PART NUMBER: 30035	REV. A
MATERIAL:		
STOCK SIZE:		
FINISH:		
SCALE: 1:16 DO NOT SCALE DRAWING	SHEET: 1 OF 1	

NAME:	DATE:
DRAWN: AFB	10/13/2023
CHECKED:	
APPRVD:	