



Stainless Steel



Stainless Steel



Read Instructions Before Installing

- DO install the WATCHDOG in a port where the centerline of the main body is at the optimum fluid level.
- DO NOT use the reservoir as a lever. It may damage the WATCHDOG.
- DO NOT use the WATCHDOG for stepping, standing, or heavy loading. Although made from high strength materials, it is misuse of the WATCHDOG.

To Install:

1. Prior to installing the Watchdog Oiler, shaft rotation direction must be determined, typically indicated by an arrow on the casting of the equipment. Install oiler on the side of the equipment facing the direction of shaft rotation to prevent misfeeding of the Watchdog Oiler (see Fig 1).
2. Unscrew the reservoir from the main body and set aside.
3. Make sure all contaminants or noticeable particles are removed from the unit and bearing housing.
4. Apply pipe thread sealant to the NPT thread. Note: Some units may be equipped with an adapter. Apply thread sealant to the main body and adapter. Then thread adapter to the main body.
5. Hand tighten Watchdog in a port where the centerline of the main body is at the optimum fluid level (Fig. 1).
6. Tighten Watchdog using an open end wrench until internal threaded boss is vertical (Fig. 2). When tightening plastic main body, tighten one turn from bottoming the hex against housing wall.
7. Verify that the centerline of the main body is parallel with the oil level being maintained.
8. Fill the bearing chamber through the main body until it reaches just below the optimum fluid level visible in the sight. Use the reservoir to feed oil to the proper level.
9. Using a funnel, fill the reservoir (Fig. 3).
10. Verify o-ring is on spout.
11. Place thumb over reservoir spout, invert, and insert the spout into the internal threaded boss on the main body. Tighten reservoir. DO NOT OVER TIGHTEN.
12. Start up machine and verify proper oil level is being maintained.

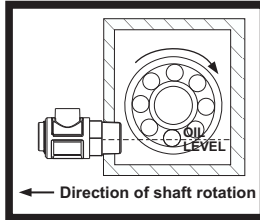


Fig. 1

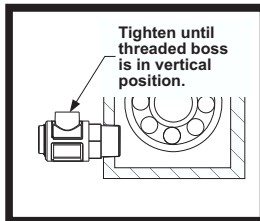


Fig. 2

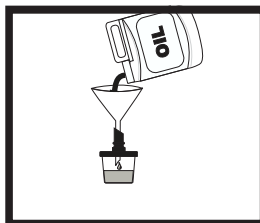
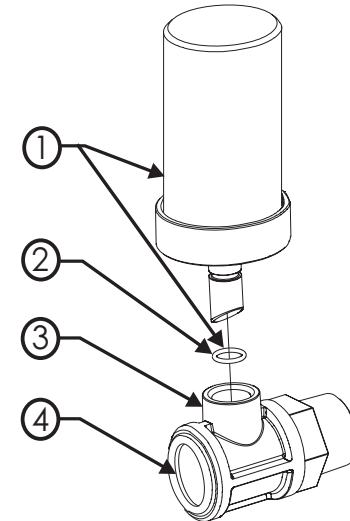


Fig. 3

Replacement Parts:

ITEM #	DESCRIPTION	MODEL #
1	4 Oz. Glass Reservoir- Stainless Steel Spout (Includes o-ring)	10797R
2	O-Ring	12960R
3	1" NPT Stainless Steel Body	10806
4	Plastic Sight - 1" NPT Body Glass Sight - 1" NPT Body	12926R 12946R



For information or technical assistance on the WATCHDOG or any other Trico products please call our toll free number at 800-558-7008 (U.S. only) or call 262-691-9336 and ask for Customer Service.

See Reverse Side For Specific Instructions On Installing The WATCHDOG.

TRICO CORPORATION 1235 HICKORY STREET, PEWAUKEE, WI 53072 TEL. (262) 691-9336 FAX (262) 691-2576
www.tricocorp.com