

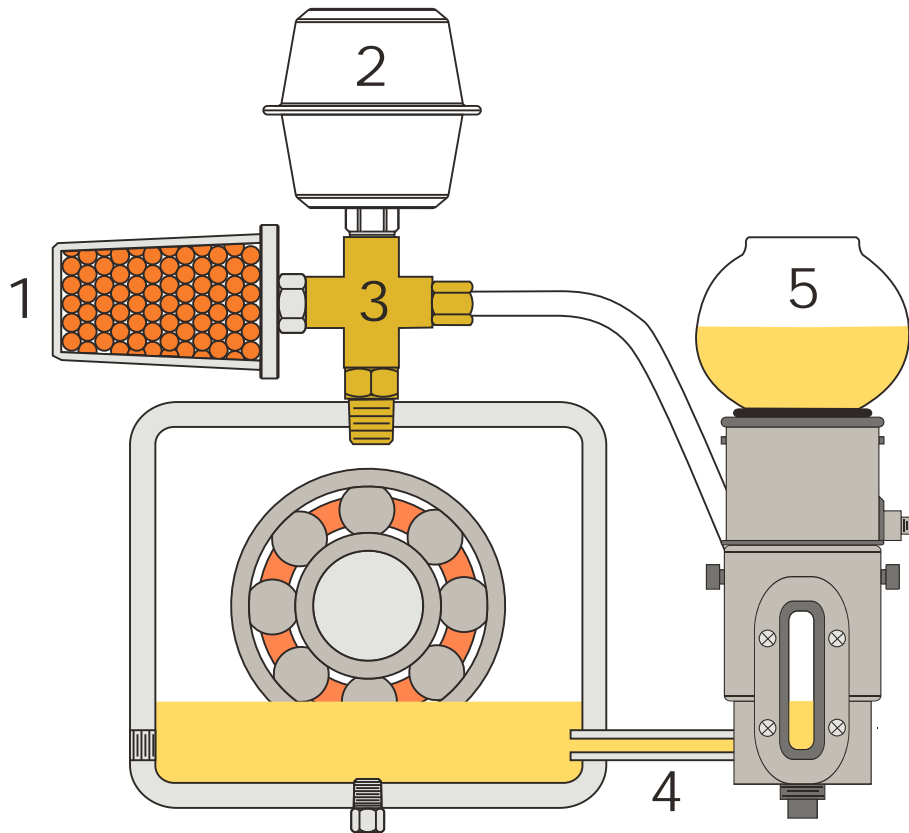
Closed system hot setups

The following setups are for end-users that want to minimize the detrimental effects of their bearing housing "breathing" which may result from large temperature differentials between start-up and steady-state conditions. This setup would be beneficial for rotating equipment operating in very wet and dirty environments.

Hot Setup #1

Bearing Housing Requirements:

1. ¼" NPT port located below the desired oil level
2. Any NPT port located above the desired oil level



Hot Setup Components:

1. WATCHDOG® Oil Dryer with 1/2" NPT connection
2. Trico Expansion Chamber (See Technical Information Sheet "Selection of expansion chamber" for proper sizing)
3. Four way fitting with female NPT ports.
4. Male to male adapter with a NPT male corresponding to the NPT port on the bearing housing.
5. Trico's Closed System Opto-Matic®

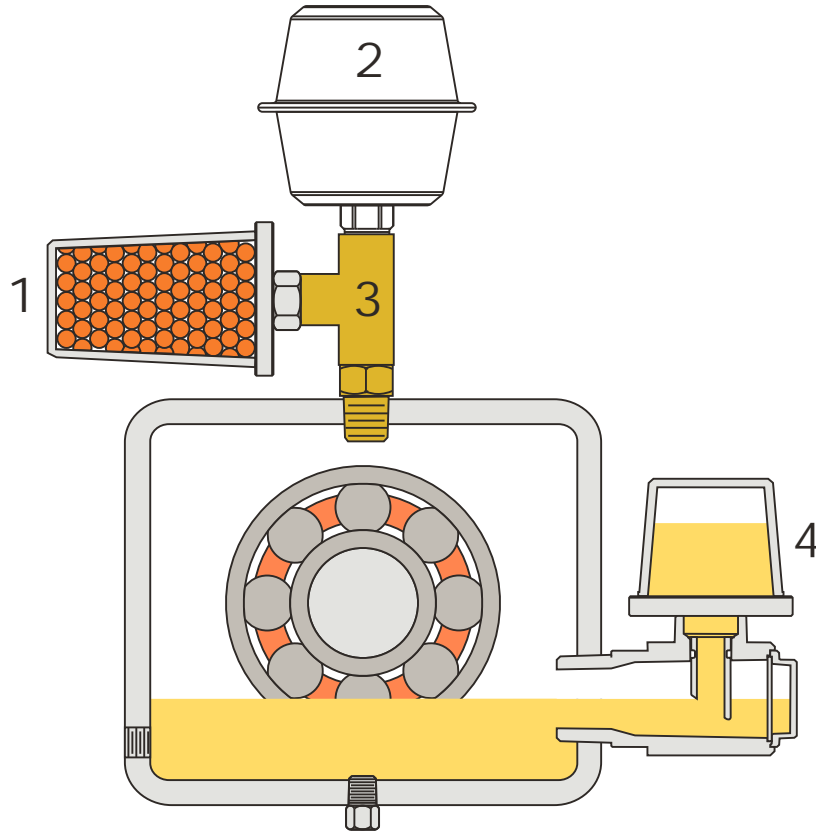
The Closed System Opto-Matic® will provide reliable constant level lubrication by sharing the air located in the bearing housing. The expansion chamber will add volume to the bearing housing so that temperature swings do not permit venting between the bearing housing and outside air. The WATCHDOG® Oil Dryer will remove moisture in the form of humidity that may enter through a seal or other vented source.



Hot Setup #2

Bearing Housing Requirements:

1. $\frac{3}{4}$ " or 1" NPT port with its centerline located at the desired oil level
2. Any NPT port located above the desired oil level



Hot Setup Components:

1. WATCHDOG® Oil Dryer with 1/2" NPT connection
2. Trico Expansion Chamber (See Technical Information Sheet "Selection of expansion chamber" for proper sizing)
3. Fitting with an NPT male corresponding to the NPT port on the bearing housing and two female NPT ports.
4. Trico's WATCHDOG® oiler

The WATCHDOG® oiler will provide reliable constant level lubrication by sharing the air located in the bearing housing. The expansion chamber will add volume to the bearing housing so that temperature swings do not permit venting between the bearing housing and outside air. The WATCHDOG® Oil Dryer will remove moisture in the form of humidity that may enter through a seal or other vented source.

Note: If moisture and humidity are not a concern, the WATCHDOG® Oil Dryer may be eliminated from either "Hot Setup". If you are unsure of the pressure holding ability of your seals, it is recommended to use an expansion chamber. This is recommended because the closed system lubricators will force feed if a pressure differential greater than $\frac{1}{2}$ psi exists between the bearing housing and the air in the top of the lubricator's reservoir (see Technical Information Sheet "The effect of pressure on Closed System Lubricators" for more information).

