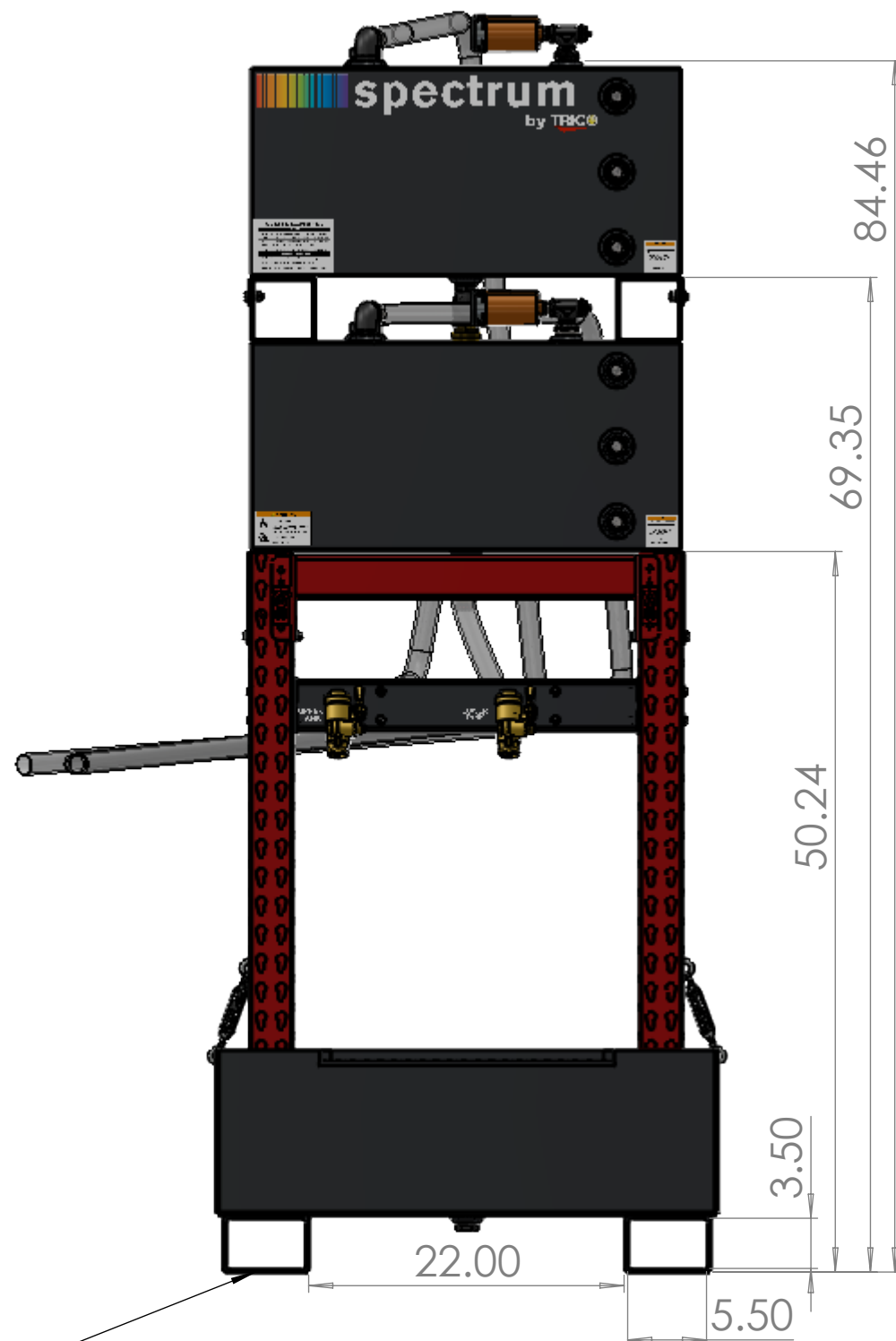
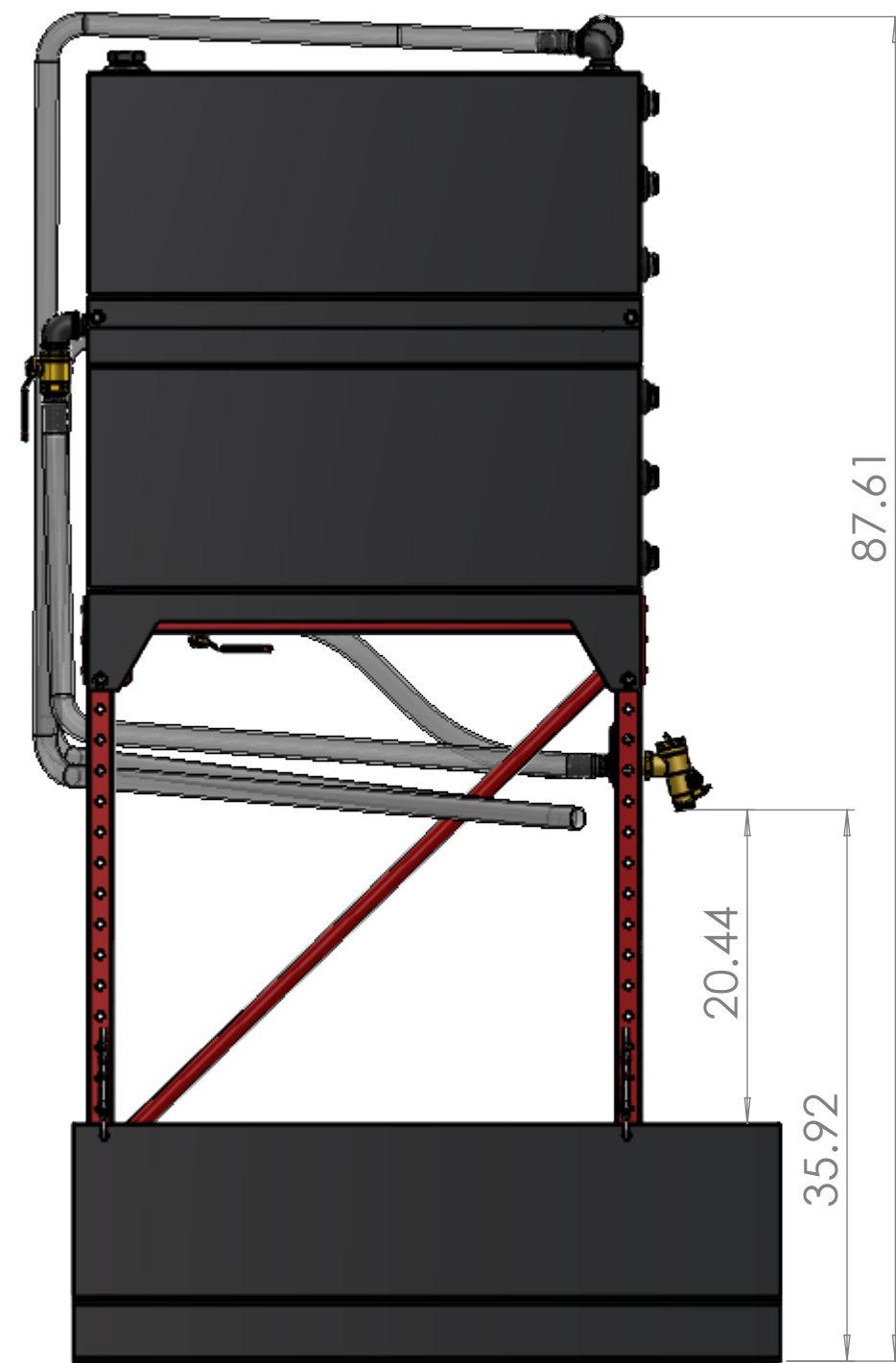
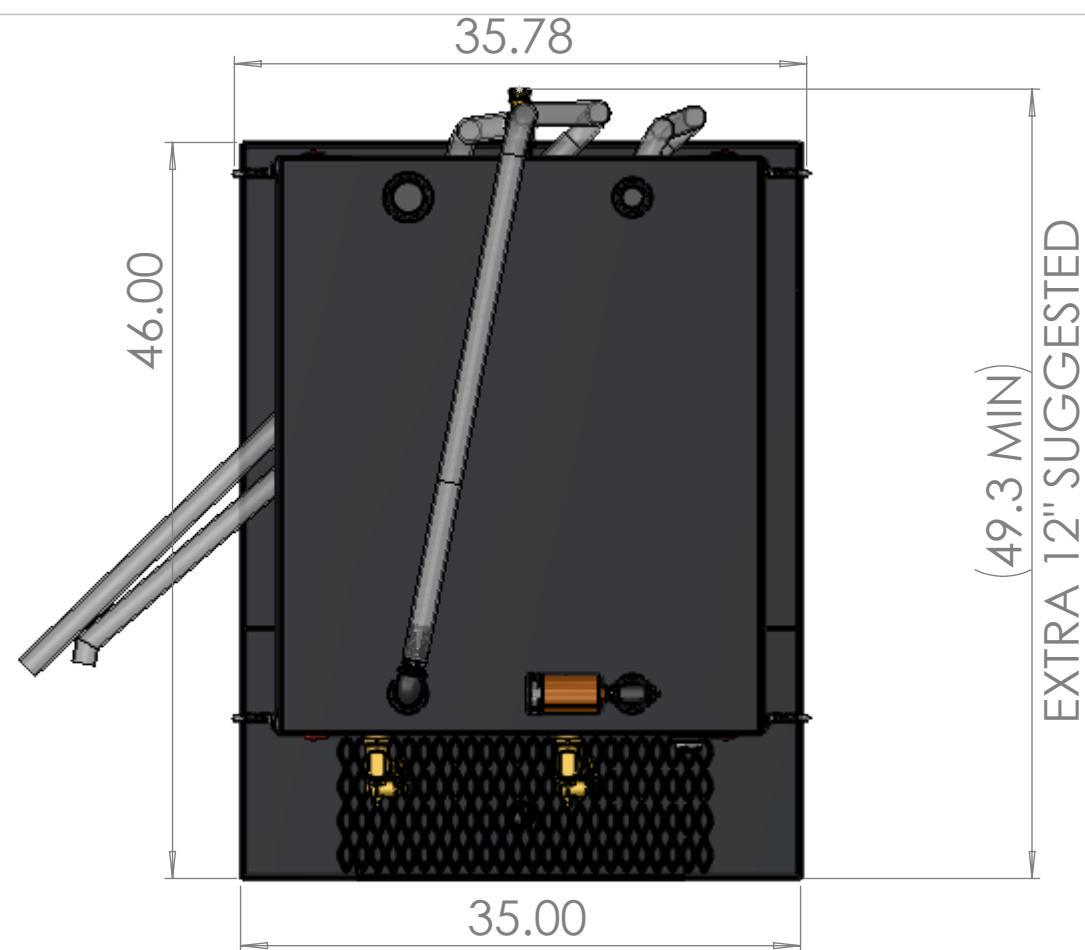
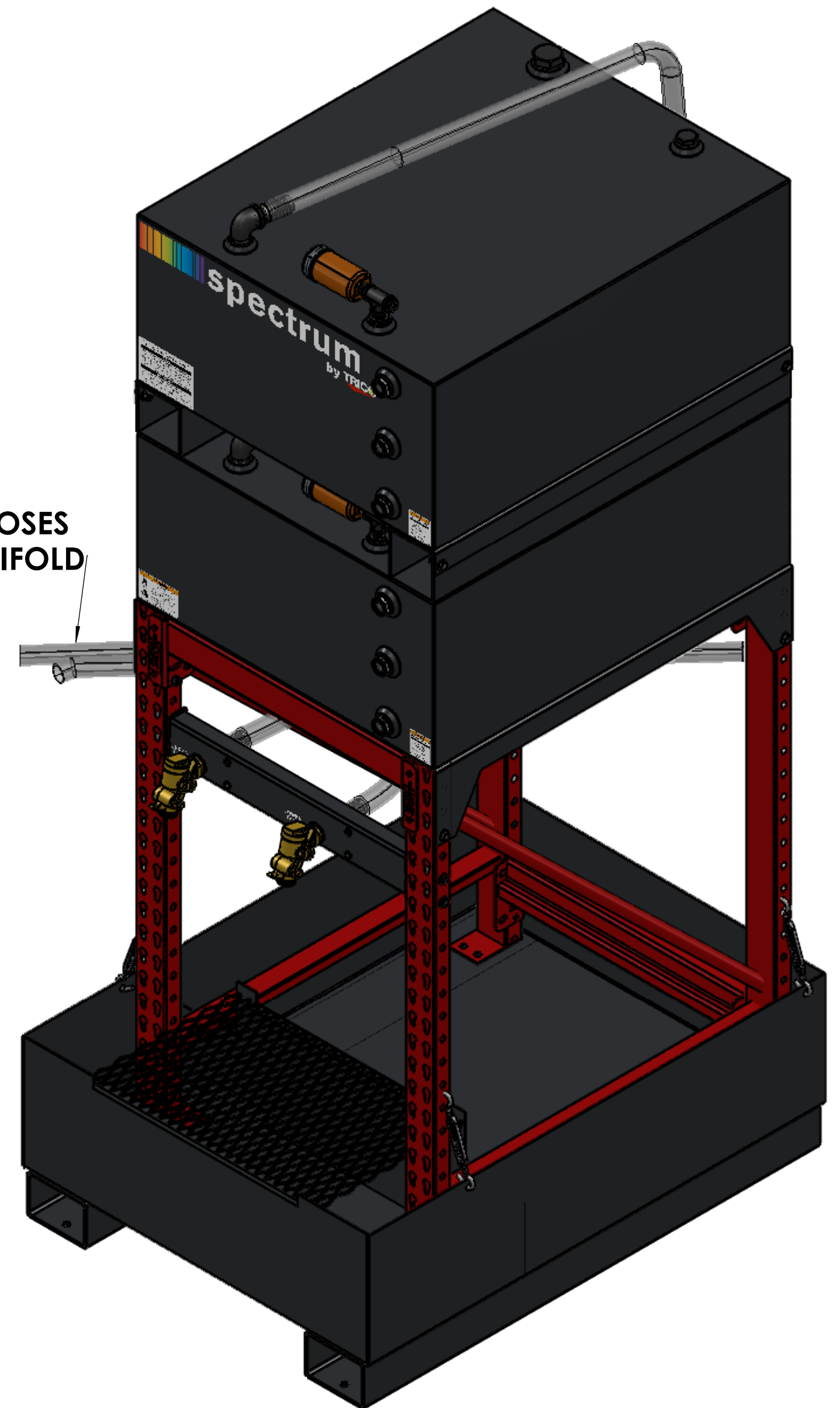


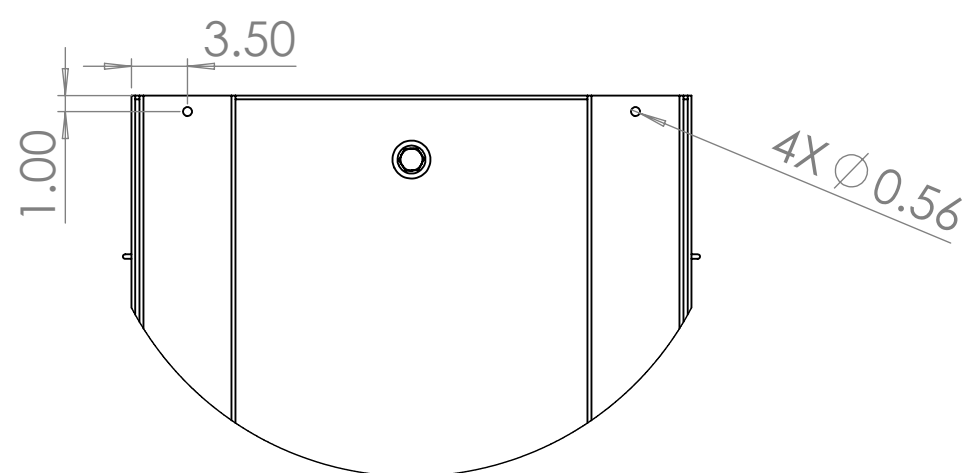
DRY WEIGHT: 700 LBS  
 SHIPPING SKID SIZE: 41X58  
 RACKING CAPACITY: 2500LBS  
 NO MOTOR / POWER REQUIREMENTS  
 - THIS IS AN ADD ON TO EXPAND  
 THE NUMBER OF STORAGE TANKS  
 WETTED PARTS MATERIALS LIST:  
 STAINLESS STEEL, GALVANIZED  
 STEEL, ZINC PLATED STEEL, PVC,  
 VITON, BUNA, BRASS, BRONZE,  
 ALUMINUM, GALVANIZED IRON,  
 BLACK COATED IRON



LOOSE TANK FILL HOSES  
 TO ATTACH TO MANIFOLD



**MOUNTING DETAILS**

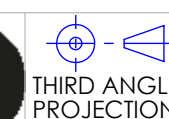


REVISIONS			
REV.	DESCRIPTION	DATE	APPROVED
B	BREATHER UPDATE	2/5/2024	AFB



PROPRIETARY AND CONFIDENTIAL

This drawing and any information or descriptive matter set out hereon are the confidential and copyright property of TRICO and must not be disclosed, loaned, copied or used for manufacturing, tendering or any other purpose without their written permission.



TOLERANCES:  
 X.XX ±.015  
 X.XXX ±.005  
 FRACTIONS ±1/16

ANGLES X ±1°

GEOMETRICALLY TOLERANCED TO ANSI Y14.5 (BS ISO 1101)

ALL DRAWINGS MUST BE CONSIDERED UNCONTROLLED UNLESS OTHERWISE STAMPED  
 ALL DIMENSIONS IN INCHES UNLESS OTHERWISE STATED

DESCRIPTION / TITLE:  
**ESSENTIAL 2 TANK ADD-ON SPECIFICATIONS**

SIZE: **C** PART NUMBER: **37202** REV. **B**

DRAWN:	NAME: AFB	DATE: 10/1/2021
CHECKED:	NAME: AFB	DATE: 2/5/2024
APPRVD:		

MATERIAL:	
STOCK SIZE:	
FINISH:	
SCALE: 1:10	SHEET: 1 OF 1
<b>DO NOT SCALE DRAWING</b>	