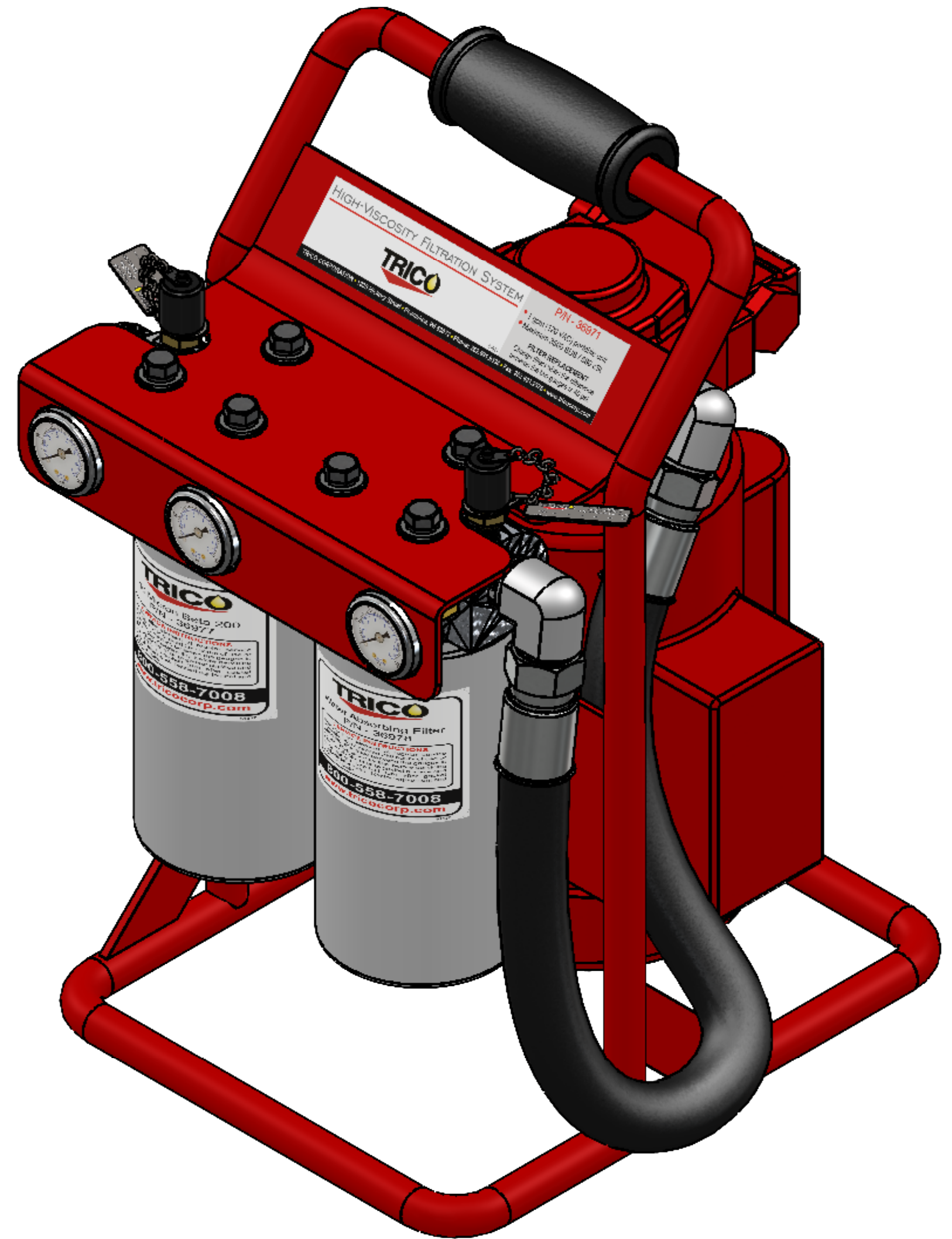
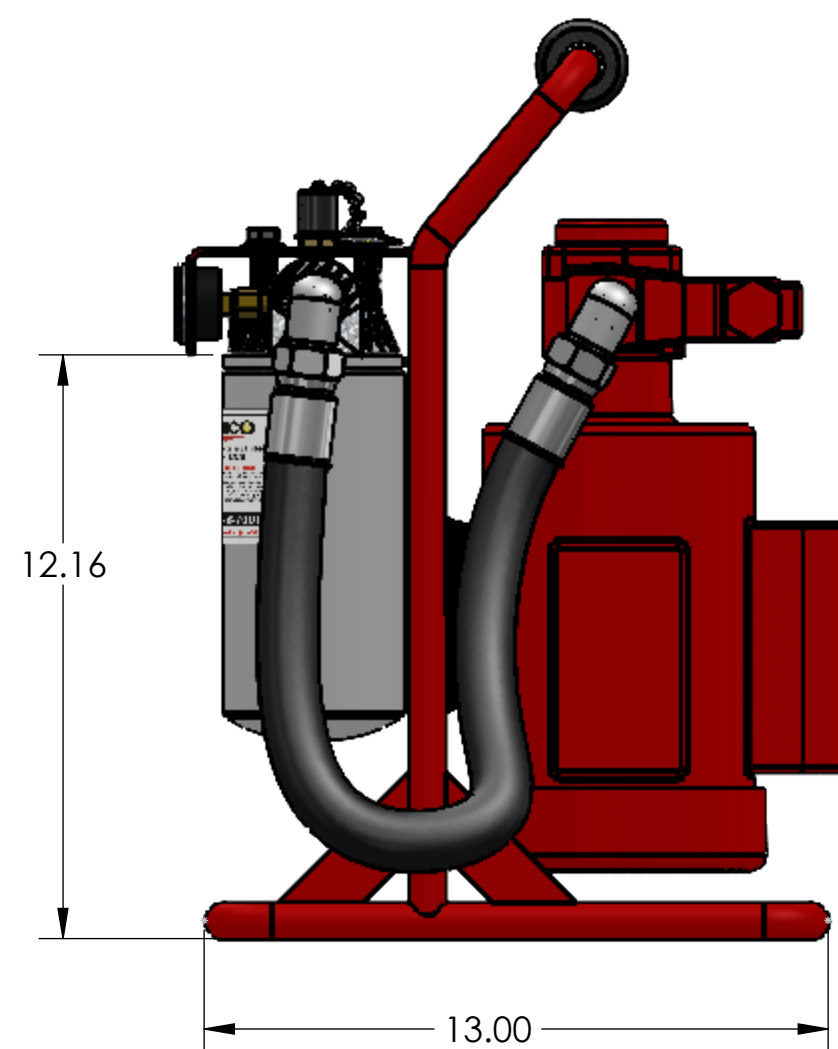
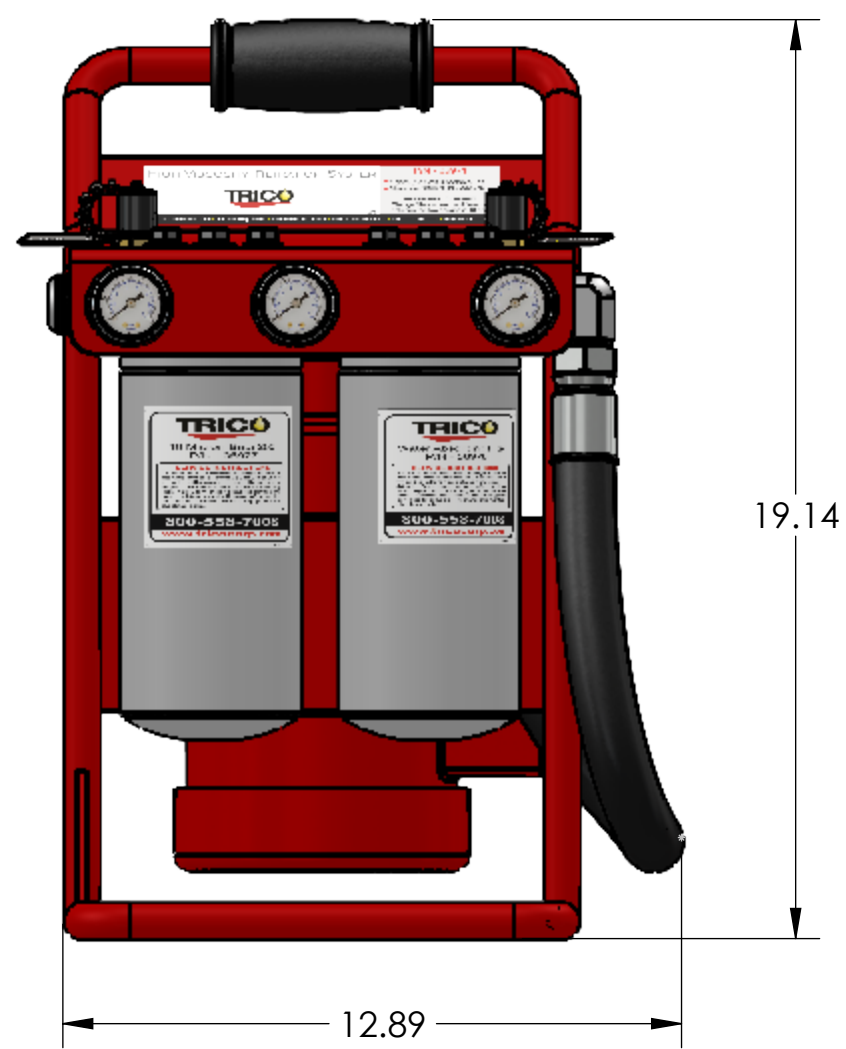
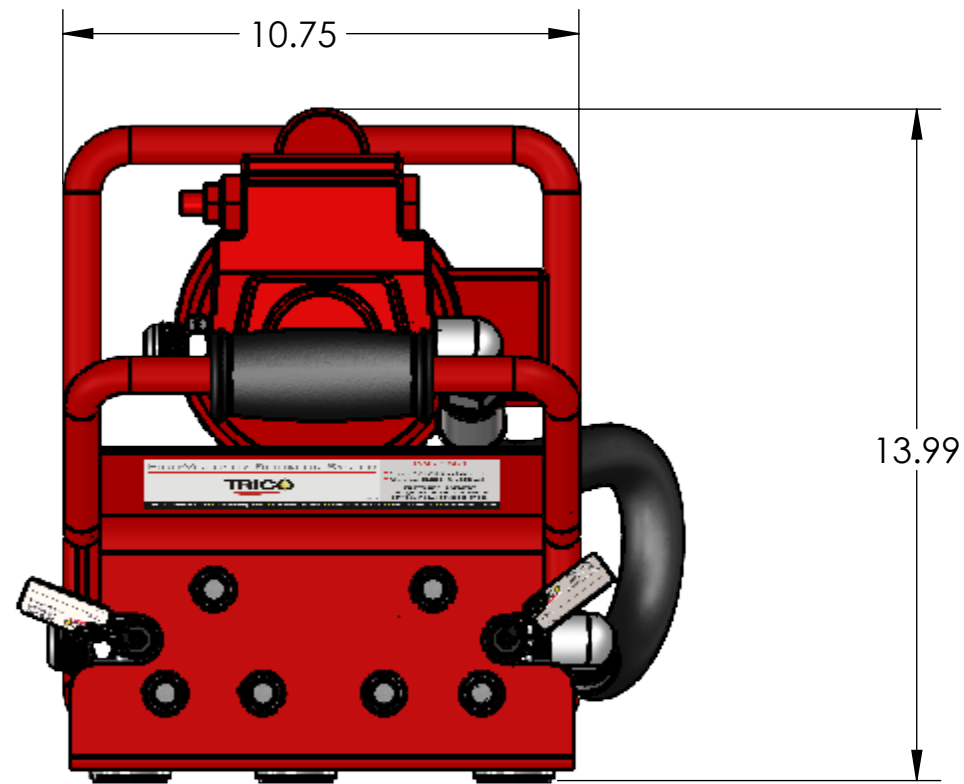


36971 - High Viscosity Hand-Held Filtration System

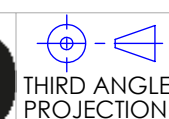


NOTES:
1.



PROPRIETARY AND CONFIDENTIAL

This drawing and any information or descriptive matter set out hereon are the confidential and copyright property of TRICO and must not be disclosed, loaned, copied or used for manufacturing, tendering or any other purpose without their written permission.



TOLERANCES:
X.XX ±.015
X.XXX ±.005
FRACTIONS ±1/16

ALL DRAWINGS MUST BE CONSIDERED UNCONTROLLED UNLESS OTHERWISE STAMPED
ALL DIMENSIONS IN INCHES UNLESS OTHERWISE STATED

GEOMETRICALLY TOLERANCED TO ANSI Y14.5 (BS ISO 1101)

DESCRIPTION / TITLE:
High Viscosity Hand-Held Filtration System

SIZE: C	PART NUMBER: 36971	REV.
-------------------	------------------------------	------

DRAWN:	NAME: MCL	DATE: 12/15/2020
CHECKED:	NAME: AFB	DATE: 12/23/2020
APPRVD:		

MATERIAL:	STOCK SIZE:	FINISH:
SCALE: 1:4	SHEET: 1 OF 9	DO NOT SCALE DRAWING