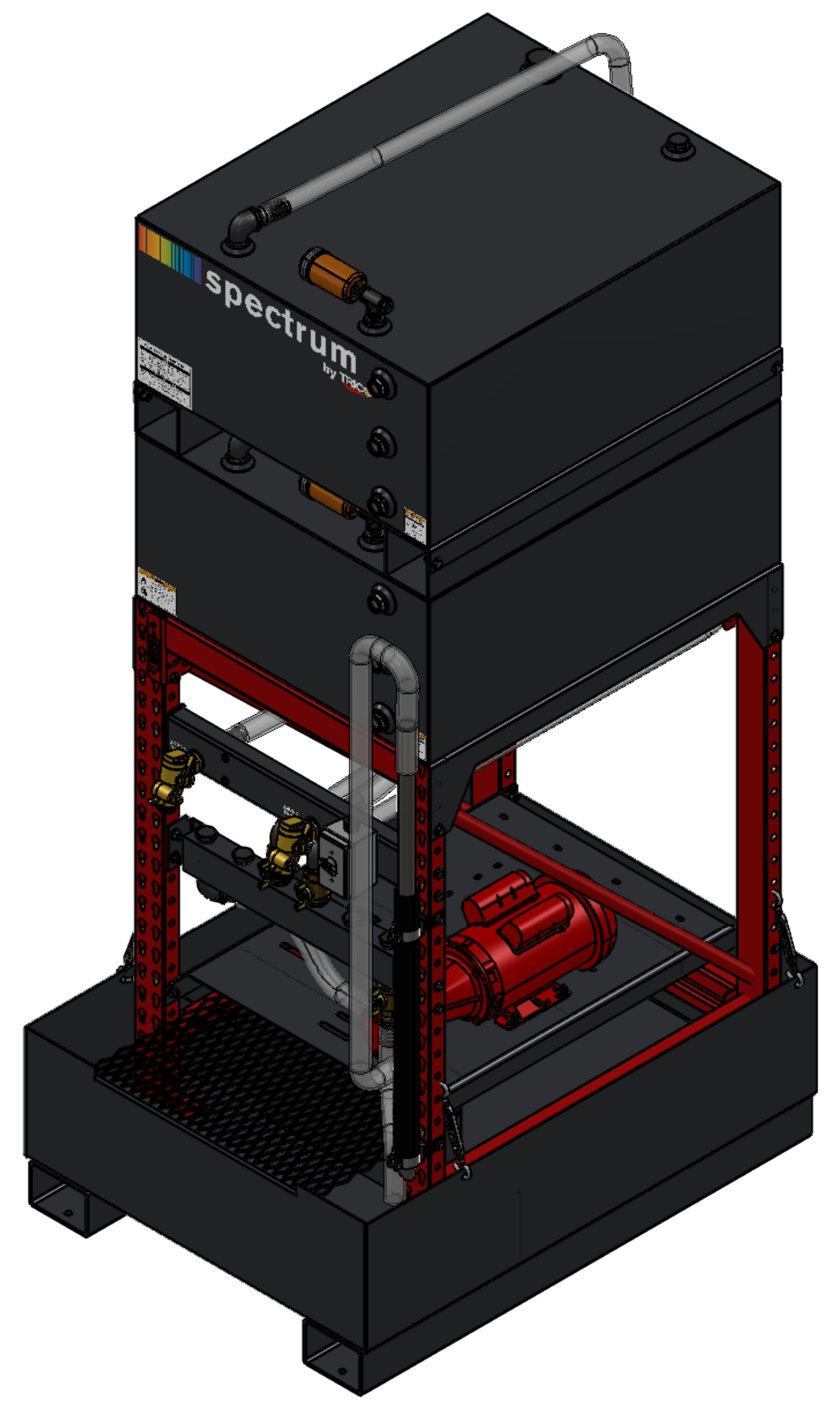
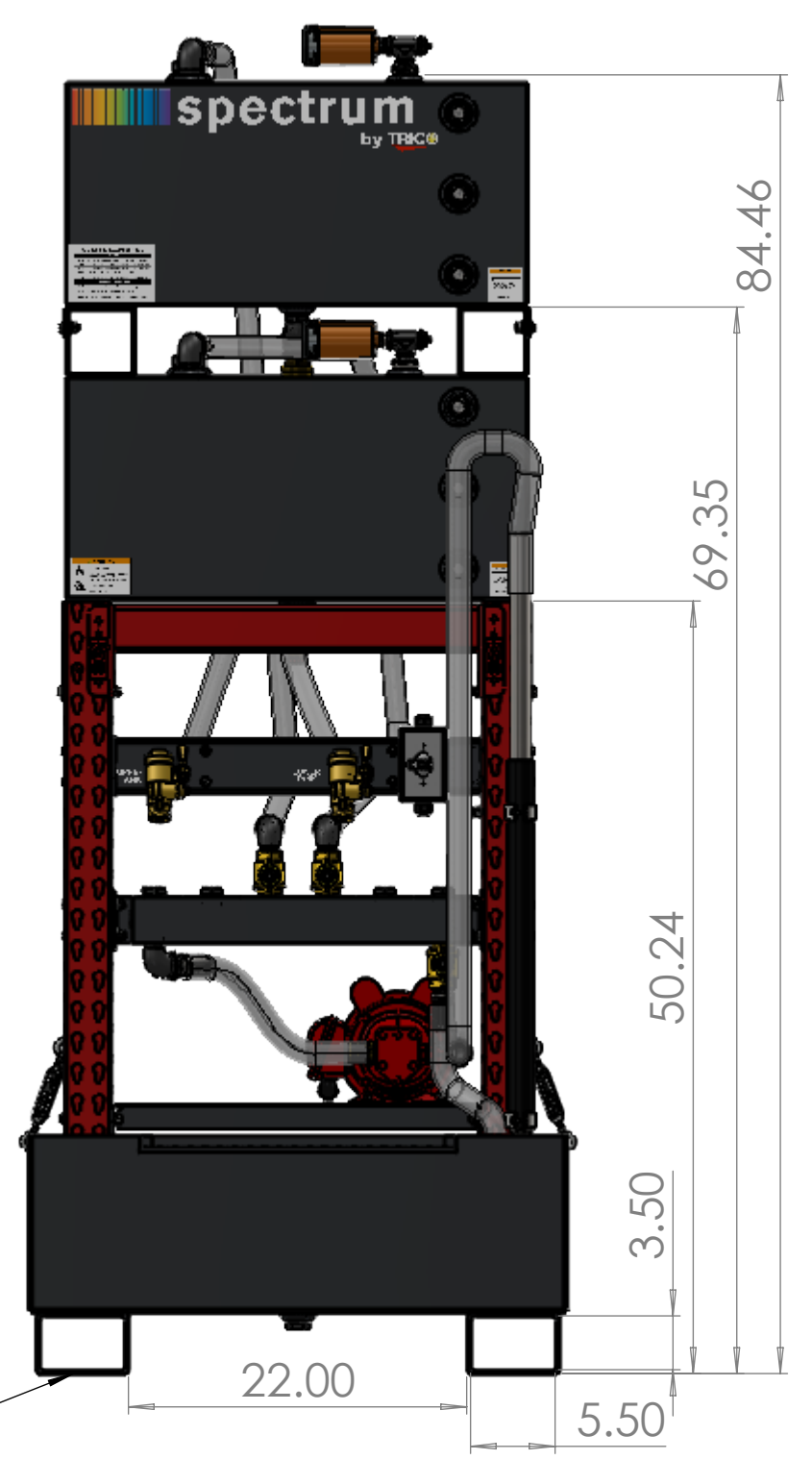
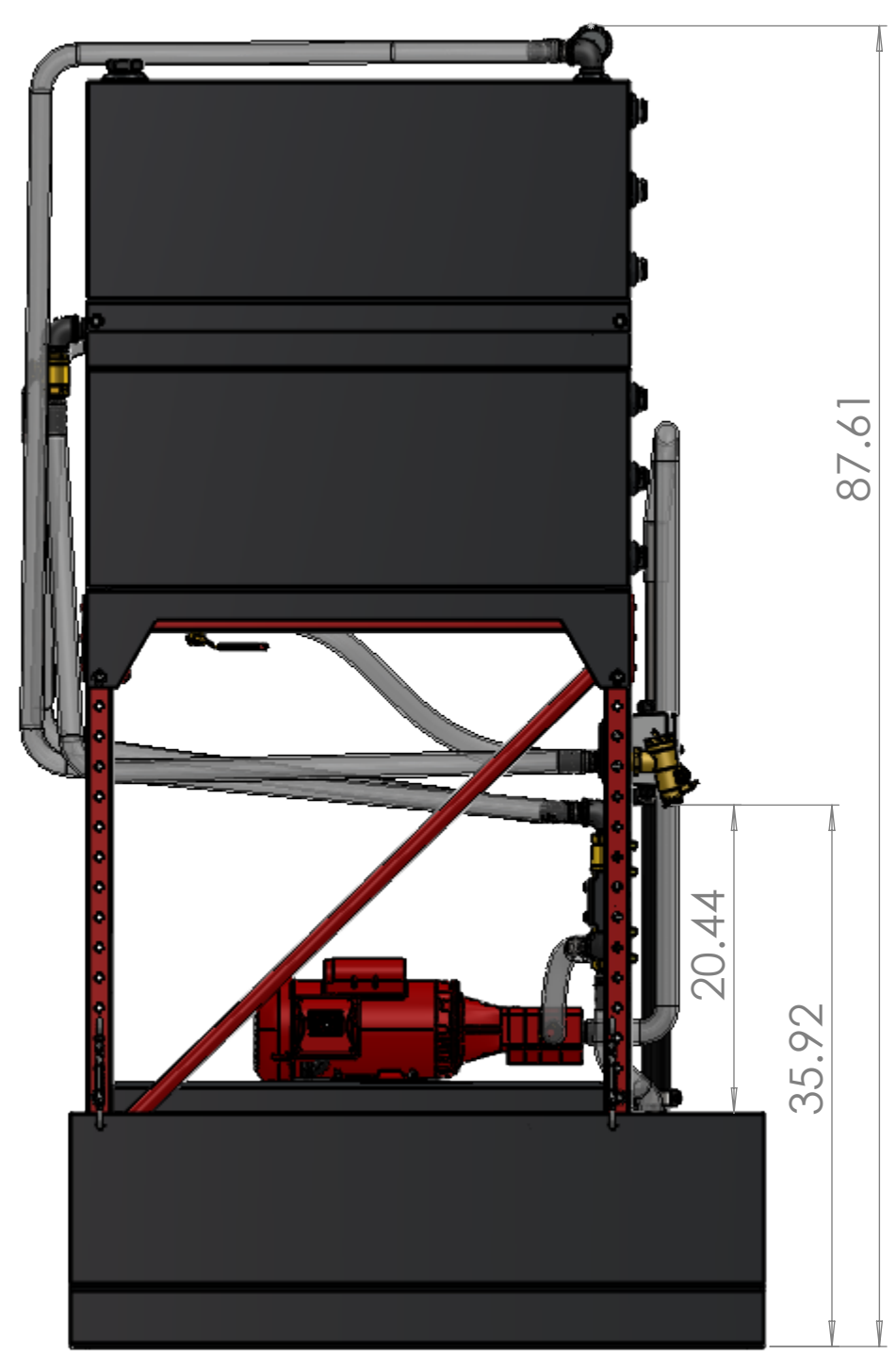
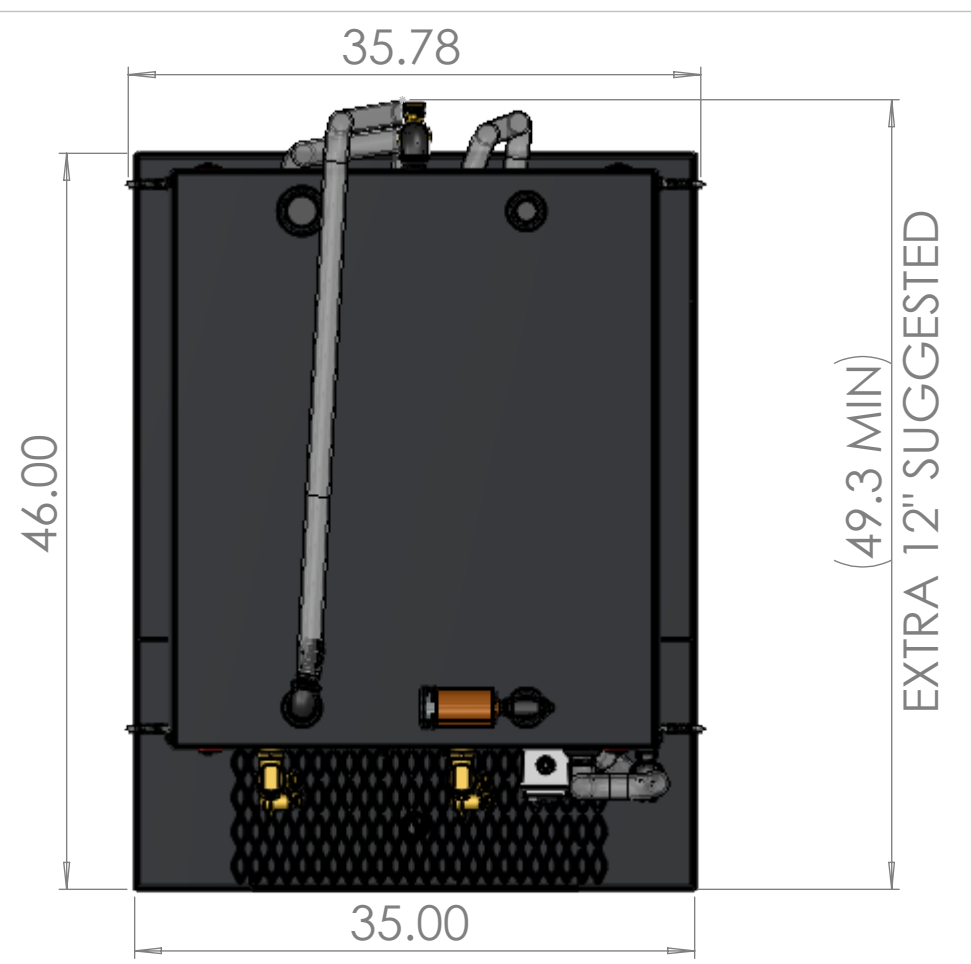
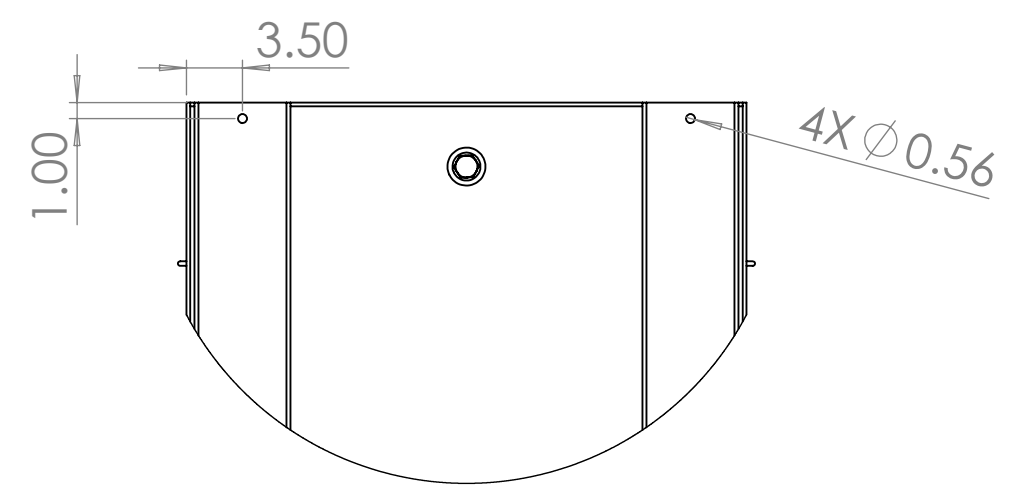


DRY WEIGHT: 800 LBS  
 SHIPPING SKID SIZE: 41X58  
 RACKING CAPACITY: 2500LBS  
 MOTOR POWER:

120V 20A NEMA 5-20P  
 WETTED PARTS MATERIALS LIST:  
 STAINLESS STEEL, GALVANIZED  
 STEEL, ZINC PLATED STEEL, PVC,  
 VITON, BUNA, BRASS, BRONZE,  
 ALUMINUM, GALVANIZED IRON,  
 BLACK COATED IRON



**MOUNTING DETAILS**



REVISIONS			
REV.	DESCRIPTION	DATE	APPROVED
B	BREATHER UPDATE	2/5/2024	AFB



**PROPRIETARY AND CONFIDENTIAL**  
 This drawing and any information or descriptive matter set out hereon are the confidential and copyright property of TRICO and must not be disclosed, loaned, copied or used for manufacturing, tendering or any other purpose without their written permission.

THIRD ANGLE PROJECTION  
 ALL DIMENSIONS IN INCHES UNLESS OTHERWISE STATED  
 OTHERWISE STATED  
**TOLERANCES:**  
 X.XX ±.015 ANGLES X ±1°  
 X.XXX ±.005  
 FRACTIONS ±1/16  
 GEOMETRICALLY TOLERANCED TO ANSI Y14.5 (BS ISO 1101)

DRAWN:	NAME: AFB	DATE: 10/1/2021
CHECKED:	NAME: AFB	DATE: 2/5/2024
APPRVD:		

DESCRIPTION / TITLE: <b>ESSENTIAL 2 TANK SPECIFICATIONS</b>		
SIZE: C	PART NUMBER: 37200	REV. B
MATERIAL:		
STOCK SIZE:		
FINISH:		
SCALE: 1:10	SHEET: 1 OF 1	
<b>DO NOT SCALE DRAWING</b>		