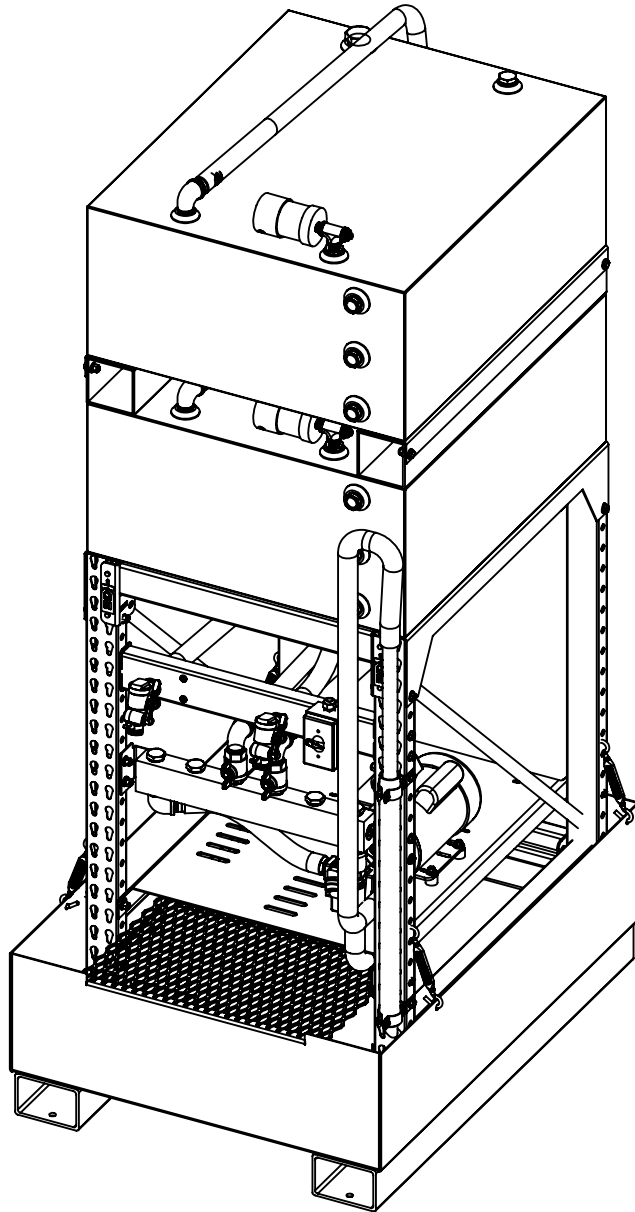
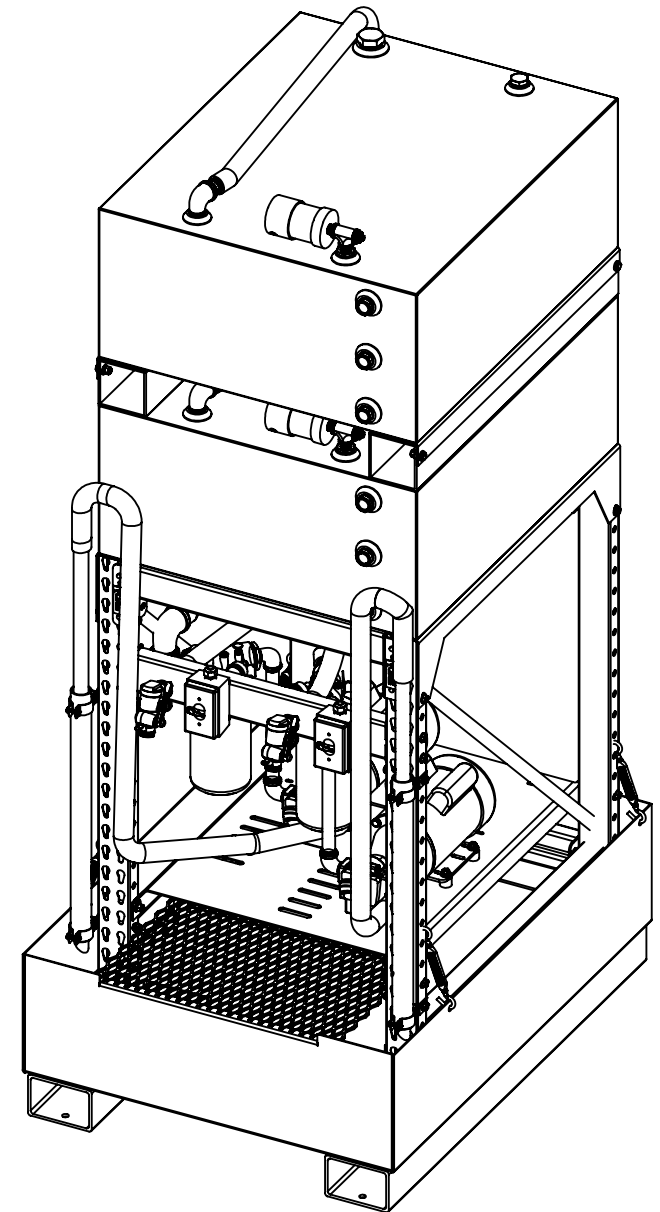


FIRE PROTECTION FOR SPECTRUM PERFORMANCE & ESSENTIAL BULK OIL STORAGE SYSTEM INSTRUCTIONS



Fire Valve Specifications:

165°F UL Rated Fuse Link
5 PSI Maximum Pressure
O-Ring: Buna-N



Hydraulic Hose Specifications:

1-1/4" ID, 1.77" OD, #20 JIC Ends
Temperature Range: -40°F to 212°F
Synthetic Rubber Inner Hose

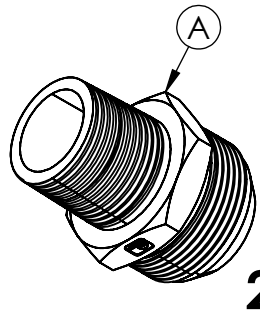
61270
Rev 1 11/1/2021



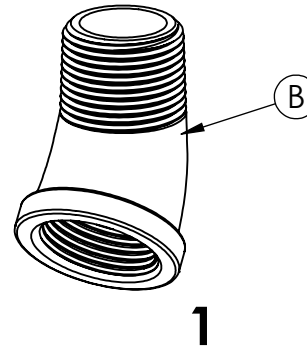
COVER
SHEET

1 OF 5

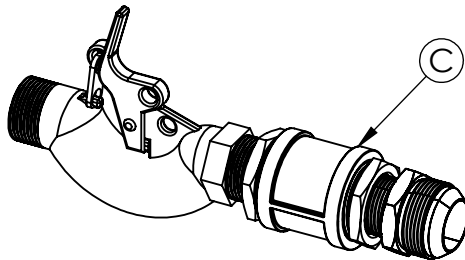
FIRE PROTECTION FOR SPECTRUM PERFORMANCE & ESSENTIAL BULK OIL STORAGE SYSTEM INSTRUCTIONS



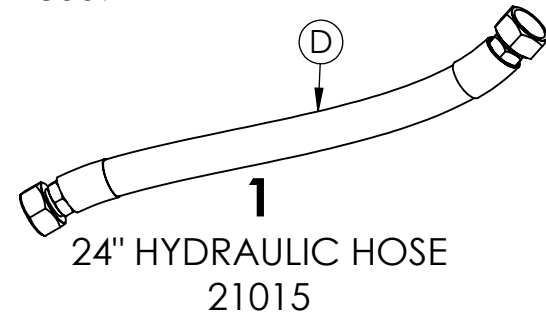
1" NPT TO #20 JIC STRAIGHT ADAPTER
18391



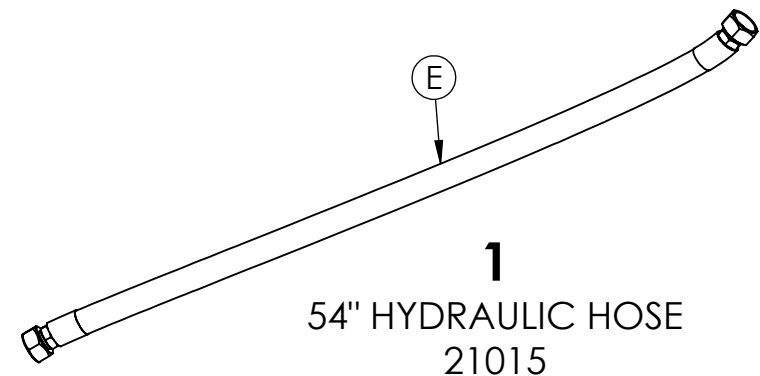
1" NPT STREET 45° ELBOW
18339



2
FIRE PROTECTION VALVE ASSEMBLY



24" HYDRAULIC HOSE
21015



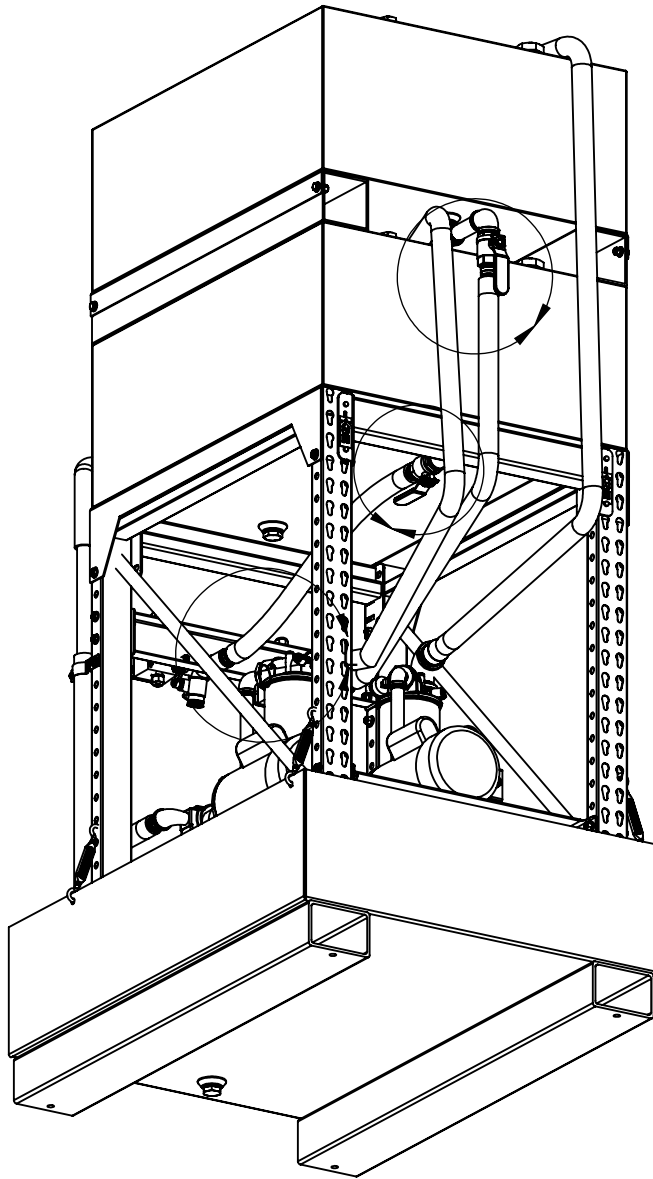
54" HYDRAULIC HOSE
21015

INCLUDED BUT NOT SHOWN:

- 6ml Thread Sealant
- **TOOLS NEEDED:**
- 2" PIPE WRENCH
- 2" ADJUSTABLE WRENCH

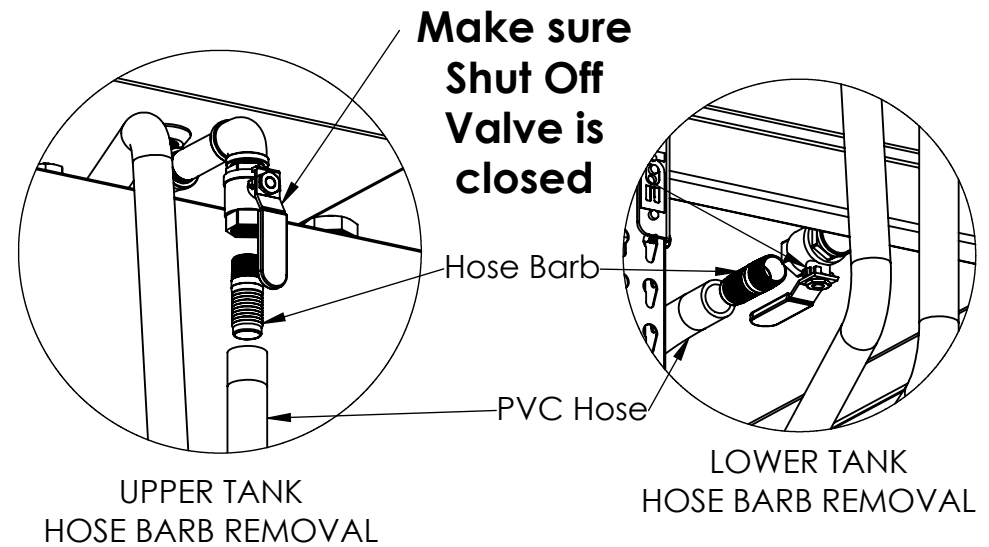
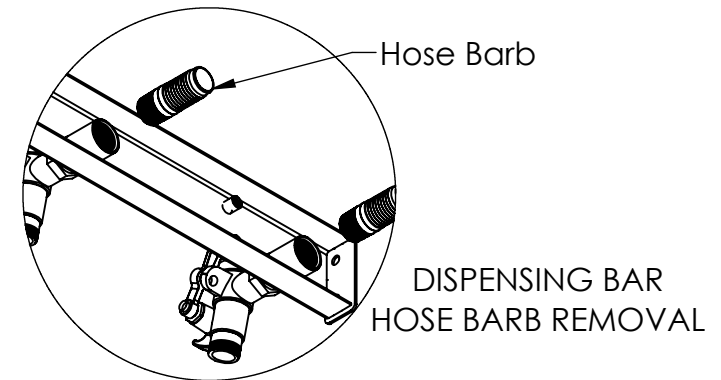


FIRE PROTECTION FOR SPECTRUM PERFORMANCE & ESSENTIAL BULK OIL STORAGE SYSTEM INSTRUCTIONS



STEP 1

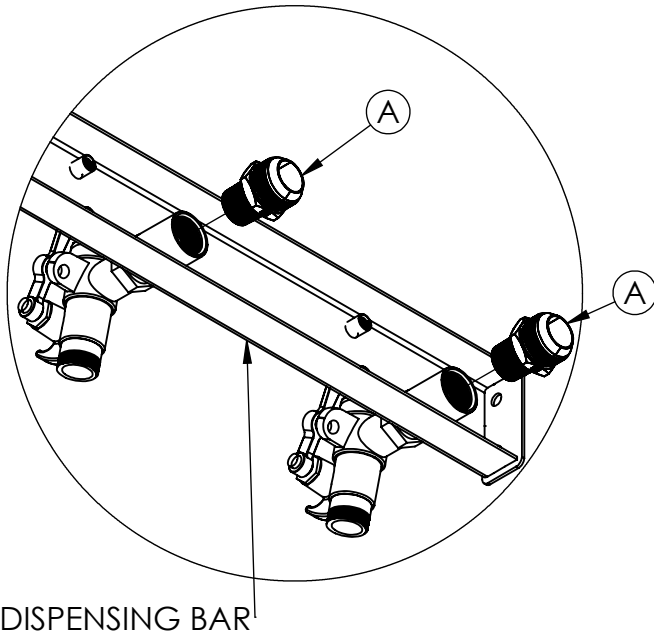
1. Make sure both Shut Off Valves on the Upper and Lower Tanks are closed
2. Remove PVC hose from Hose Barb on Dispensing Bar
3. Remove PVC hose from Hose Barb after Shut Off Valves
4. Remove Hose Barbs from Dispensing Bar and after the Shut Off Valves



FIRE PROTECTION FOR SPECTRUM PERFORMANCE & ESSENTIAL BULK OIL STORAGE SYSTEM INSTRUCTIONS

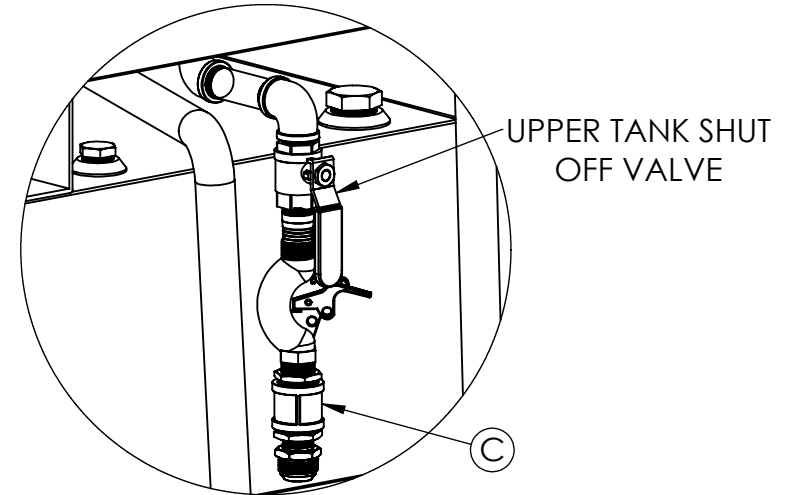
STEP 2

1. Attach Straight Adapter (A) to each Nozzle on the Dispensing Bar using thread sealant.



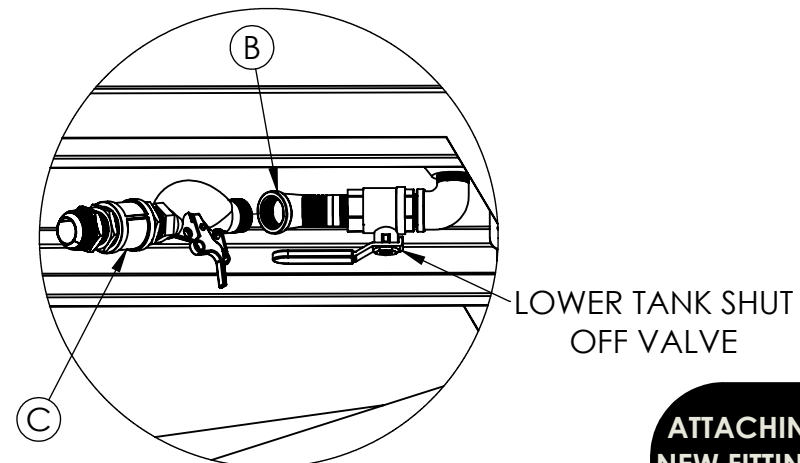
STEP 3 - Upper Tank

1. Attach Fire Protection Valve Assembly (C) to Upper Tank Shut Off Valve using thread sealant. Make sure there is enough room to open and close the Shut Off Valve once the Fire Protection Valve is installed.



STEP 4 - Lower Tank

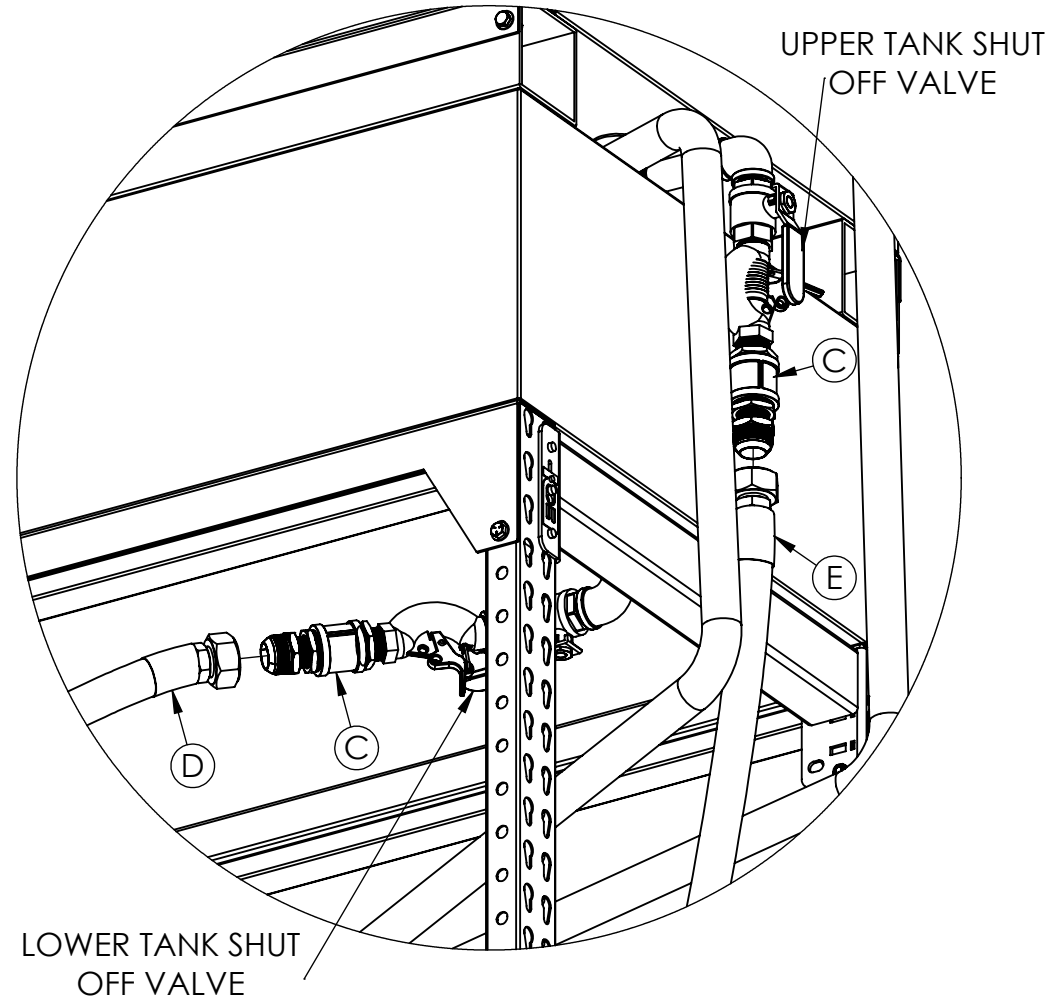
1. Attach 45° Street Elbow (B) to Lower Tank Shut Off Valve First, with the 45° Street Elbow (B) ending facing the Lower Tank Nozzle, and enough room for the Fire Protection Valve Assembly (C) to fit for assembly.
2. Attach Fire Protection Valve Assembly (C) to 45° Street Elbow (B) using thread sealant. Make sure there is enough room to open and close the Shut Off Valve once the Fire Protection Valve is installed.



FIRE PROTECTION FOR SPECTRUM PERFORMANCE & ESSENTIAL BULK OIL STORAGE SYSTEM INSTRUCTIONS

STEP 5 - Hose Attachment

1. Attach 24" Hydraulic Hose (D) from Lower Tank Fire Protection Valve Assembly (C) to the Lower Tank Dispensing Nozzle with the Straight Adapter (A). The Lower Tank Dispensing Nozzle is the **RIGHT** nozzle looking at the front of the tank system.
2. Attach 54" Hydraulic Hose (E) from Upper Tank Fire Protection Valve Assembly (C) to the Upper Tank Dispensing Nozzle with the Straight Adapter (A). The Upper Tank Dispensing Nozzle is the **LEFT** nozzle looking at the front of the tank system.



WHEN FACING THE FRONT OF THE SYSTEM
LOWER TANK IS RIGHT NOZZLE USES 24" HOSE (D)
UPPER TANK IS LEFT NOZZLE USES 54" HOSE (E)

