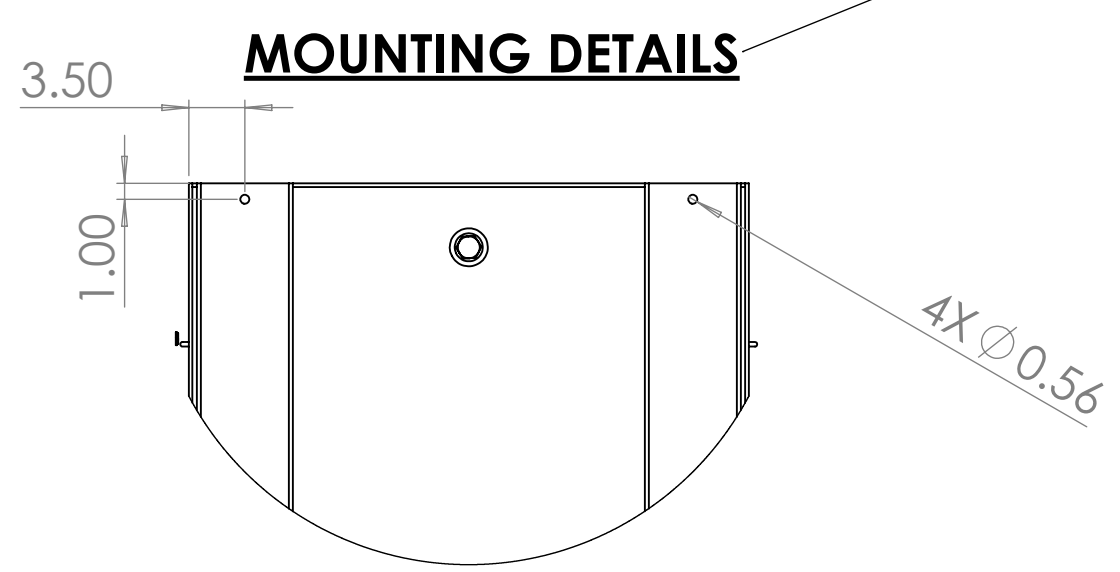
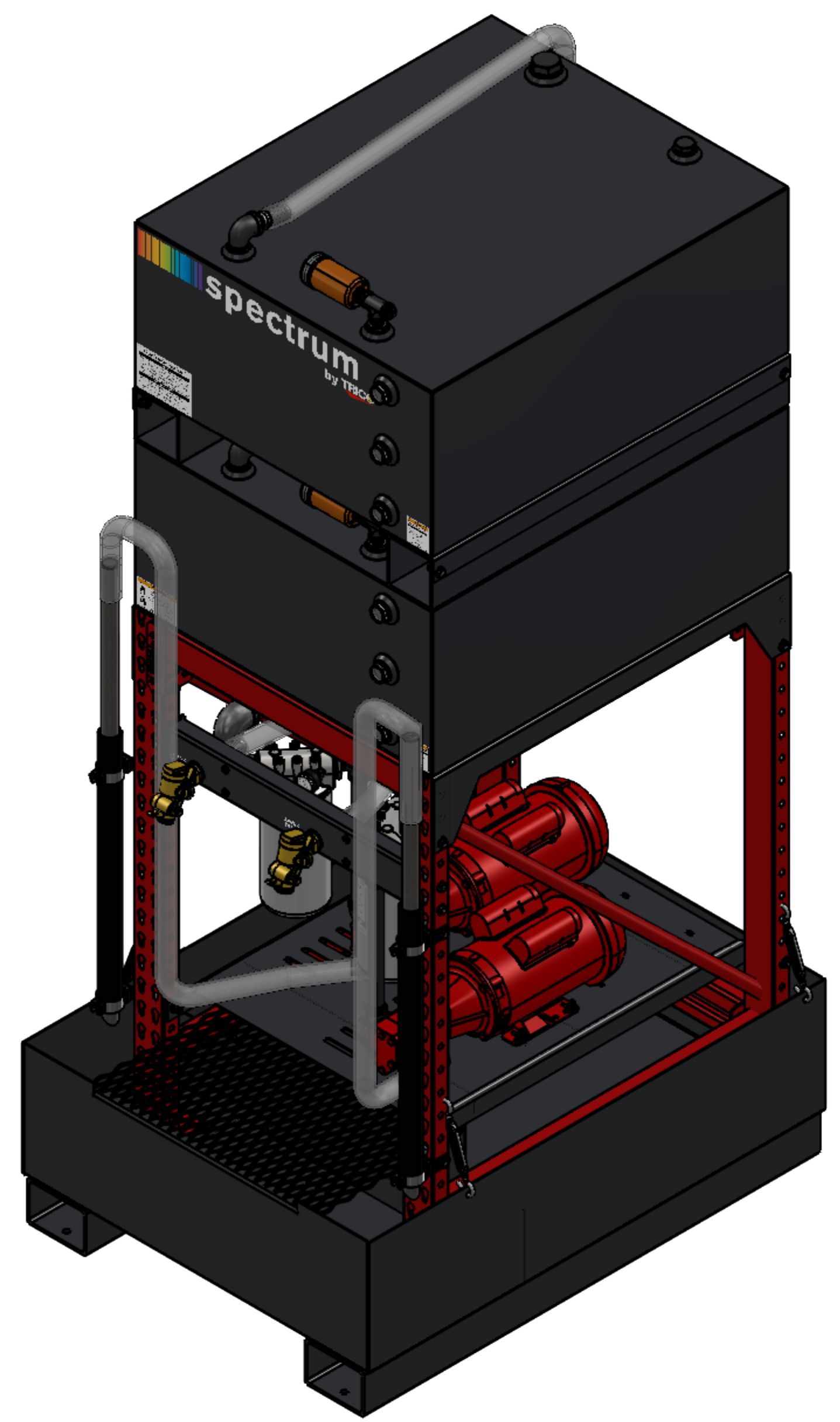
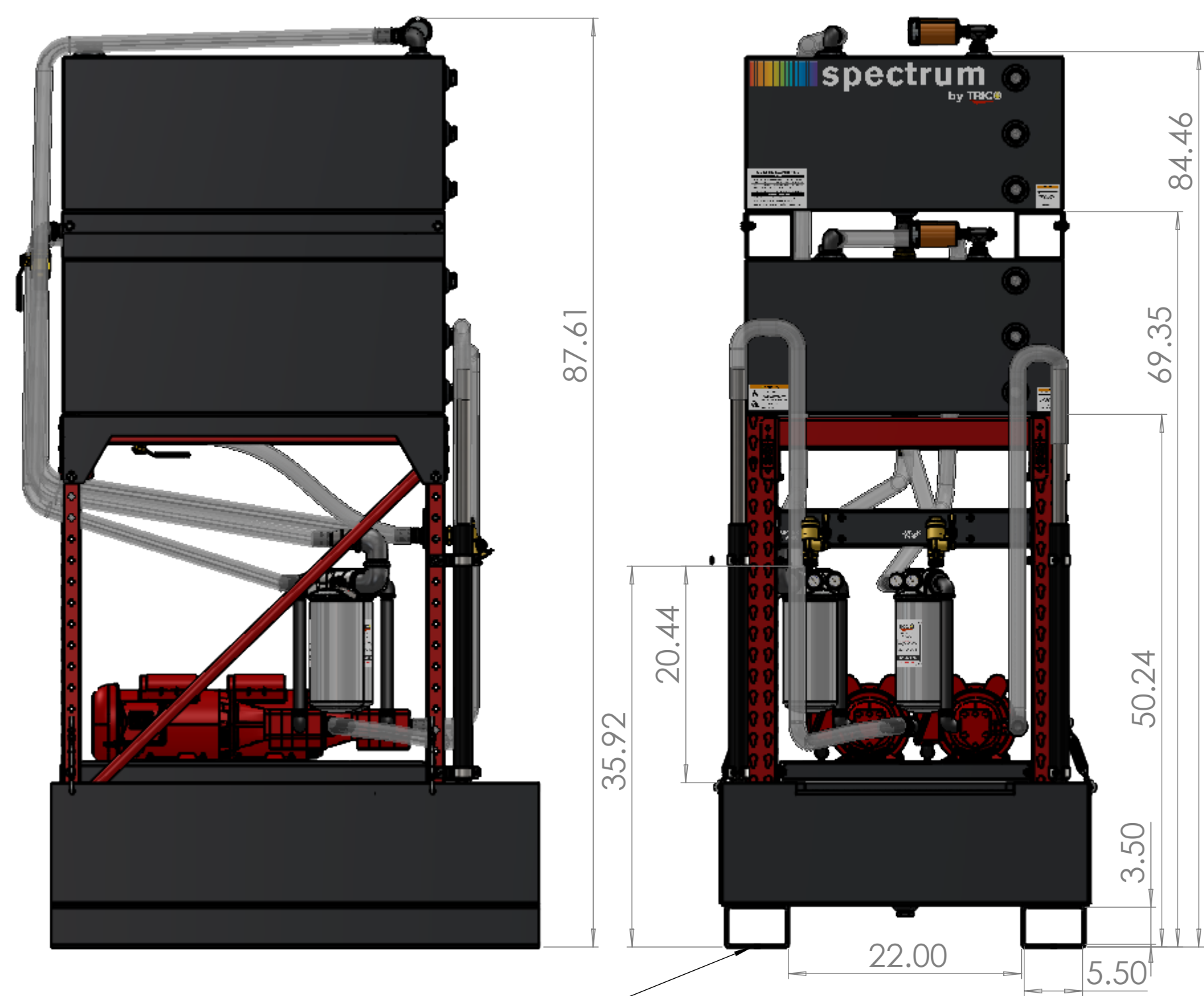
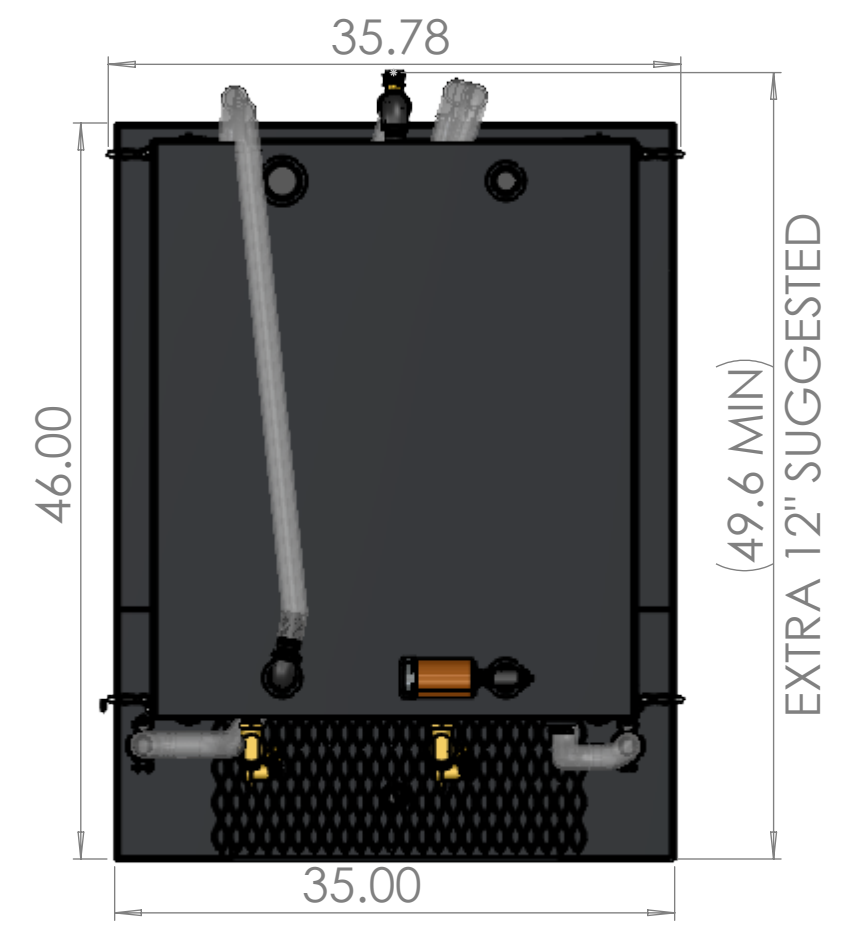


DRY WEIGHT: 860 LBS
 SHIPPING SKID SIZE: 41X58
 RACKING CAPACITY: 2500LBS
 EACH MOTOR POWER:
 120V 20A NEMA 5-20P

WETTED PARTS MATERIALS LIST:
 STAINLESS STEEL, GALVANIZED
 STEEL, ZINC PLATED STEEL, PVC,
 VITON, BUNA, BRASS, BRONZE,
 ALUMINUM, GALVANIZED IRON,
 BLACK COATED IRON



REVISIONS			
REV.	DESCRIPTION	DATE	APPROVED
B	BREATHER UPDATE	2/5/2024	AFB

TRICO
 PROPRIETARY AND CONFIDENTIAL
 This drawing and any information or descriptive matter set out hereon are the confidential and copyright property of TRICO and must not be disclosed, loaned, copied or used for manufacturing, tendering or any other purpose without their written permission.

THIRD ANGLE PROJECTION
 ALL DIMENSIONS IN INCHES UNLESS OTHERWISE STATED
 TOLERANCES:
 X.XX ±.015 ANGLES X ±1°
 X.XXX ±.005
 FRACTIONS ±1/16
 GEOMETRICALLY TOLERANCED TO ANSI Y14.5 (BS ISO 1101)

DESCRIPTION / TITLE: PERFORMANCE 2 TANK SPECIFICATIONS		
SIZE: C	PART NUMBER: 37210	REV. B
MATERIAL: STOCK SIZE: FINISH:		
SCALE: 1:10	SHEET: 1 OF 1	
DO NOT SCALE DRAWING		